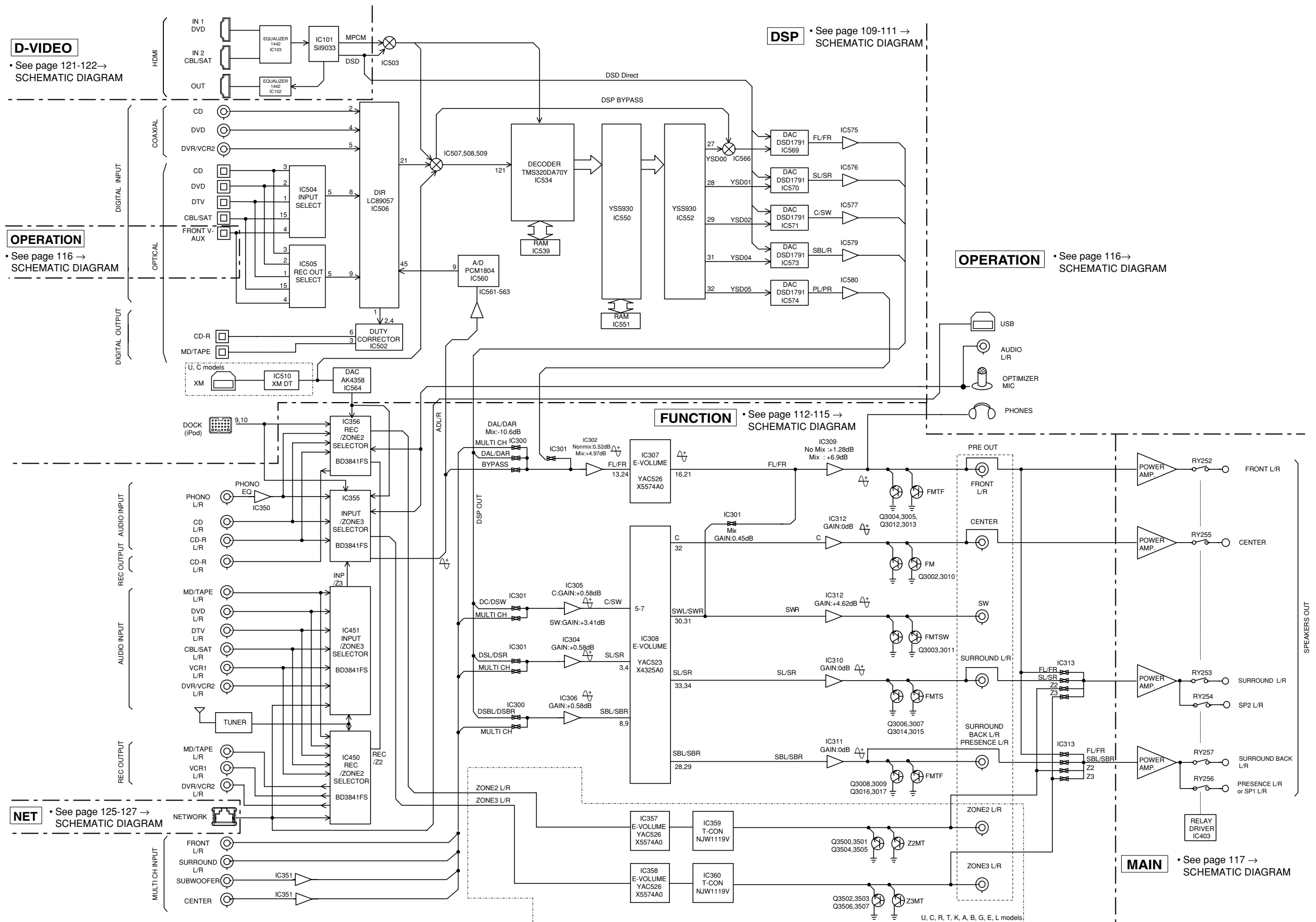
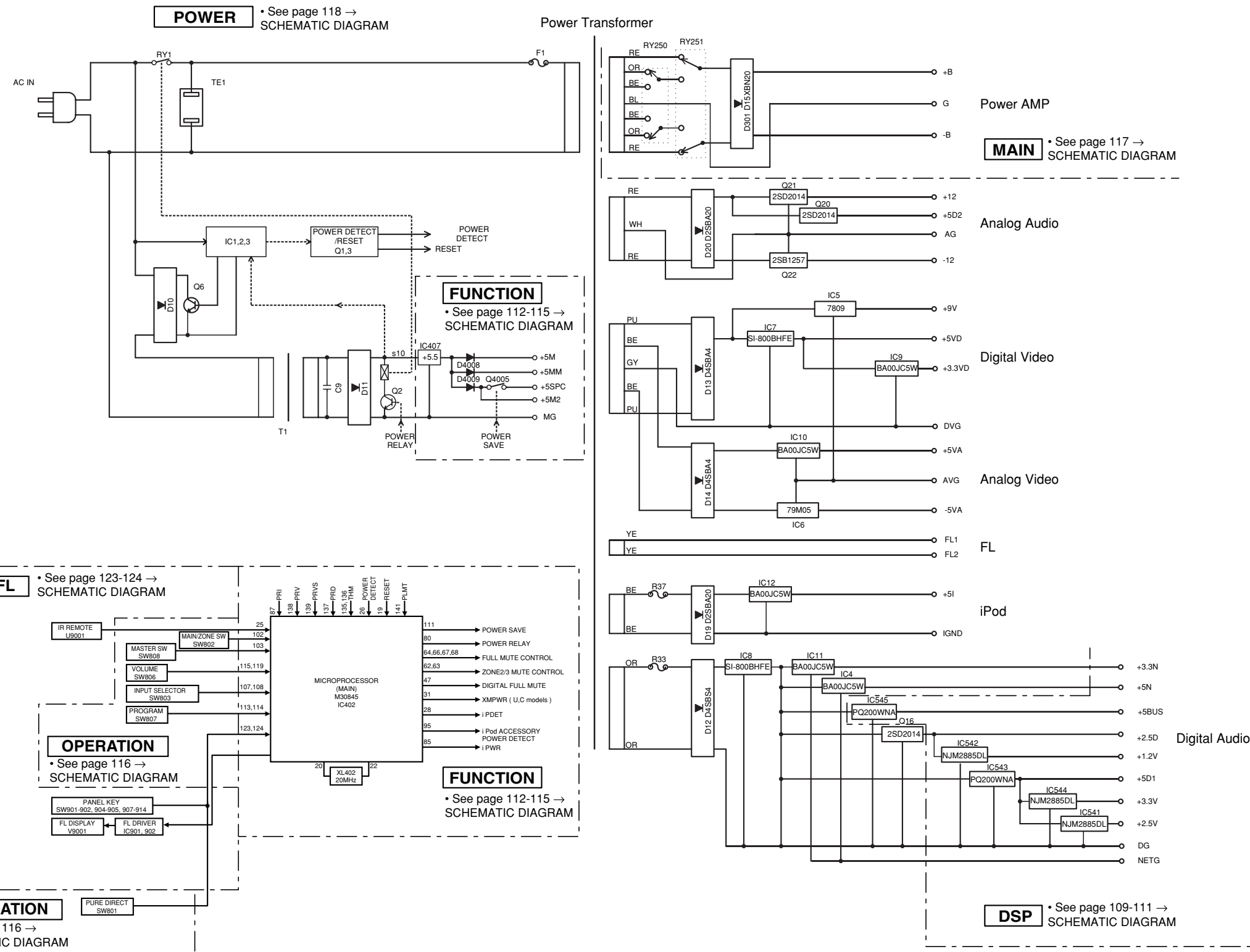


BLOCK DIAGRAMS

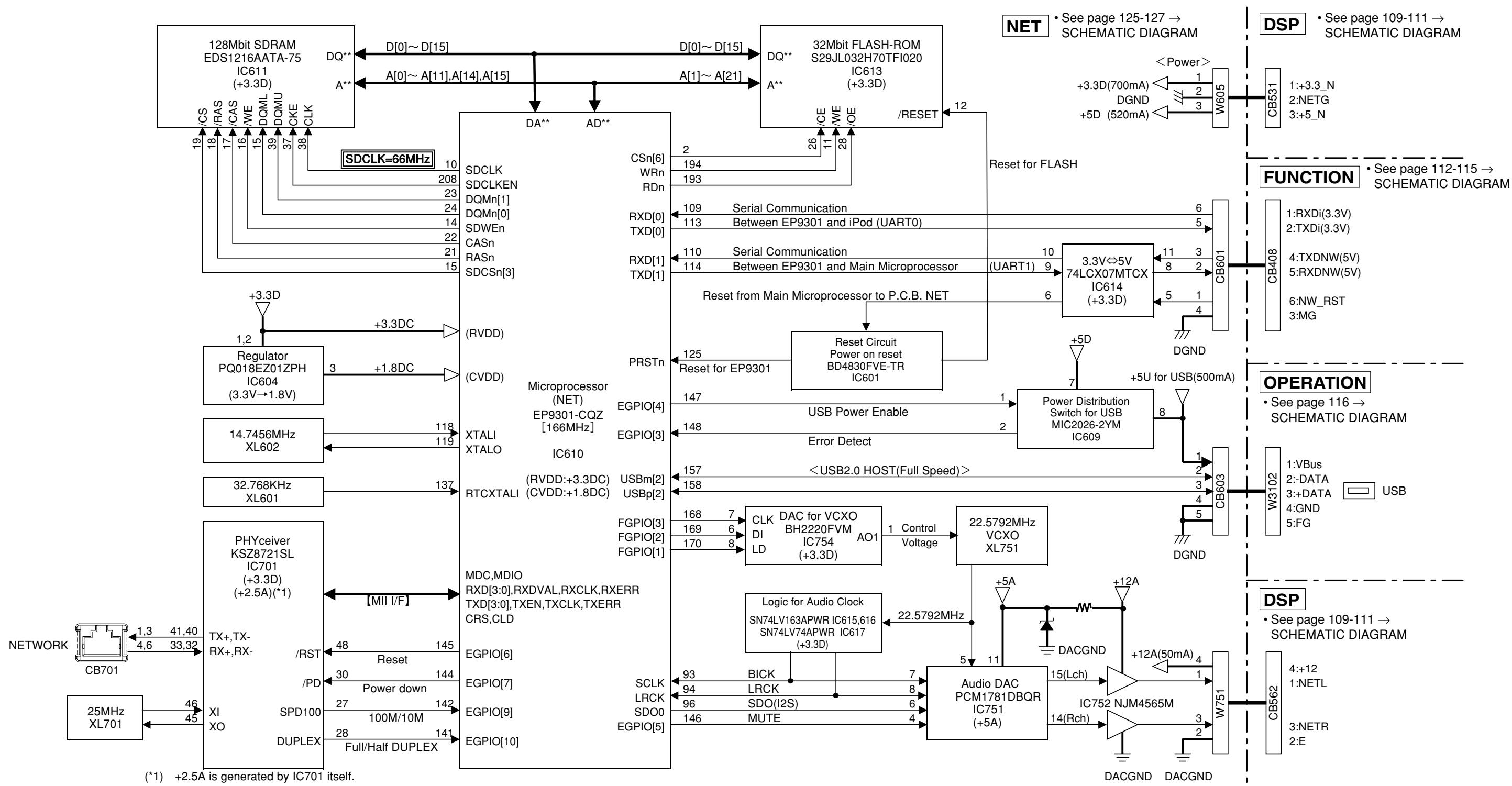
AUDIO SECTION BLOCK DIAGRAM



CONTROL/POWER SUPPLY SECTION BLOCK DIAGRAM

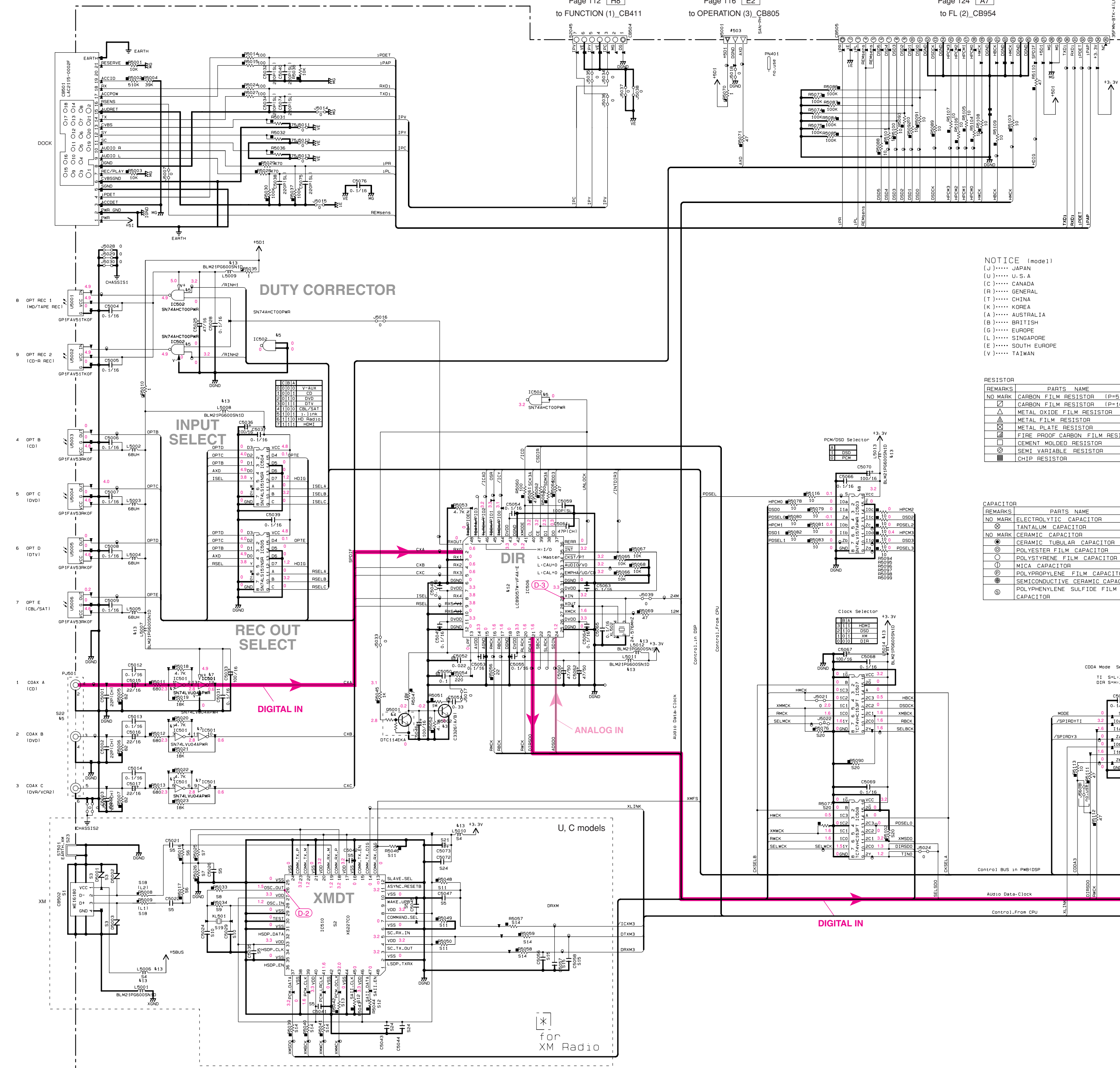


NETWORK SECTION BLOCK DIAGRAM



DSP

Page 112 [H8] to FUNCTION (1)_CB411
Page 116 [E2] to OPERATION (3)_CB805
Page 124 [A7] to FL (2)_CB954



Destination Part List

sxx	LOC	J	U.C	R.T.K.A.B.G.E.L
S1	CB502	X	WE16180 ICAM-1618108	X
S2	IC510	X	4828703 72602-1118	X
S3	CS500	X	WE17460 AVRL16141R1NB	X
S4	LS006	X	V044990 BLM1P0000N10	X
S5	CS041	X	U039510 0.1716	X
S6	RS011	X	RD39510 100	X
S7	RS020	X	RD39510 100	X
S8	RS033	X	RD39510 100	X
S9	RS034	X	RD39510 100	X
S10	CS024	X	U039510 0.1716	X
S11	RS050	X	RD39510 100R	X
S12	RS043	X	RD39510 100R	X
S13	RS046	X	RD39510 100R	X
S14	RS047	X	RD39510 100R	X
S15	CS026	X	U039510 0.1716	X
S16	RS008	X	RD39510 100R	X
S17	RS009	X	RD39510 100R	X
S18	RS008	X	RD39510 100R	X
S19	RS001	X	RD39510 100R	X
S20	RS012	X	RD39510 100R	X
S21	CS073	X	U039510 0.1716	X
S22	PJ001	X	MB8440 HSD-37-29K1	X
S23	S1001	X	MSD-37-29K1	X
S24	CS042	X	U039510 0.1716	X

NOTICE (model)
(J)..... JAPAN
(U)..... U.S.A
(C)..... CANADA
(R)..... GENERAL
(T)..... CHINA
(K)..... KOREA
(A)..... AUSTRALIA
(B)..... BRITISH
(G)..... EUROPE
(L)..... SINGAPORE
(E)..... SOUTH EUROPE
(V)..... TAINAN

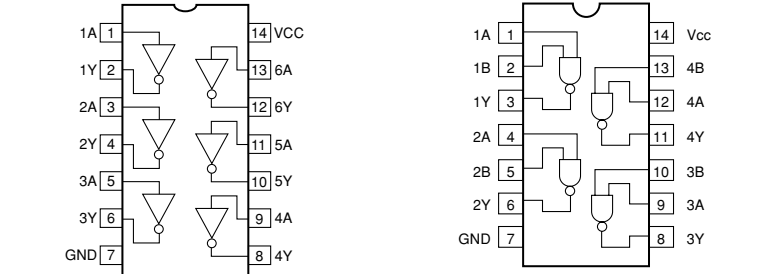
RESISTOR
REMARKS PARTS NAME
NO MARK CARBON FILM RESISTOR (P+6)
[] CARBON FILM RESISTOR (P=10)
[] METAL OXIDE FILM RESISTOR
[] METAL FILM RESISTOR
[] METAL PLATE RESISTOR
[] FINE PORE CARBON FILM RESISTOR
[] CEMENT MOLDED RESISTOR
[] SEMI VARIABLE RESISTOR
[] CHIP RESISTOR

CAPACITOR
REMARKS PARTS NAME
NO MARK ELECTROLYTIC CAPACITOR
[] TANTALUM CAPACITOR
[] CERAMIC CAPACITOR
[] CERAMIC TUBULAR CAPACITOR
[] POLYESTER FILM CAPACITOR
[] POLYSTYRENE FILM CAPACITOR
[] MICA CAPACITOR
[] POLYPROPYLENE FILM CAPACITOR
[] SEMICONDUCTIVE CERAMIC CAPACITOR
[] POLYPHENYLENE SULFIDE FILM CAPACITOR

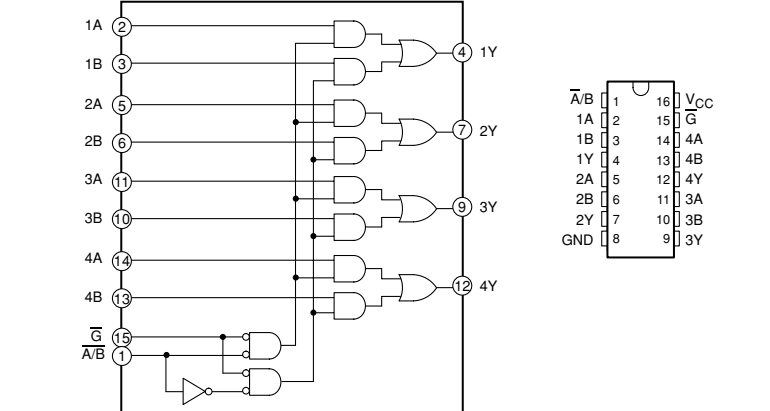
Interchangeable Parts at Manufacture Stage

Mark	Reference Parts Number	Parts Name
A1	CS500-5300-5300	IC505
A2	G6301	25A1037K1G/R/S1 25A123A1E/P1
A3	G6002	25C3201A/B1 25C3201B1 25C3201M1/B1 25C3201K1 K1C3201B
A4	G6001	DT11424A M101020-1R1/R
A5	IC502	SN74AHC100PWR TC74AHC100APTEL-X1
A6	IC505	SN74AHC100PWR TC74AHC100APTEL-X1
A7	IC501	SN74AHC100PWR TC74AHC100APTEL-X1
A8	IC503-509-566	SN74LV157APWR TC74LV157APTEL-X1
A9	IC509	W815500-7 E849510001-1FLTR M1L16161A-710
A10	IC505	M9814200-00-3M1 G146010P-004 M1B1616200A-35J E480350-00
A11	IC506-552	Y59300-S2 Y59300-S2
A12	IC506	LC89057W-VF4D-E LC89057W-VF4D-E
A13	LS001-5008-5015- 5301-3306-9500-9509- 9611-9614-9616-9618- 9620-9623	BLM1P0000N10 P20010400-3M11F1

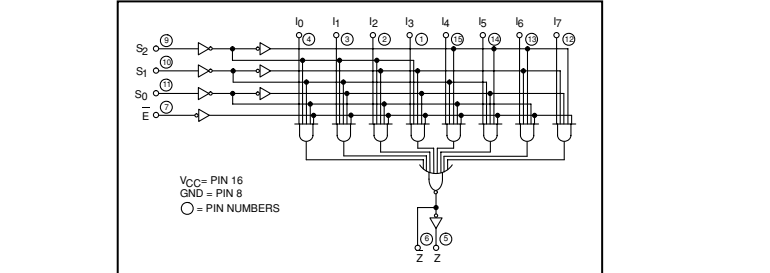
IC501: SN74LVU04PWR
Hex inverters



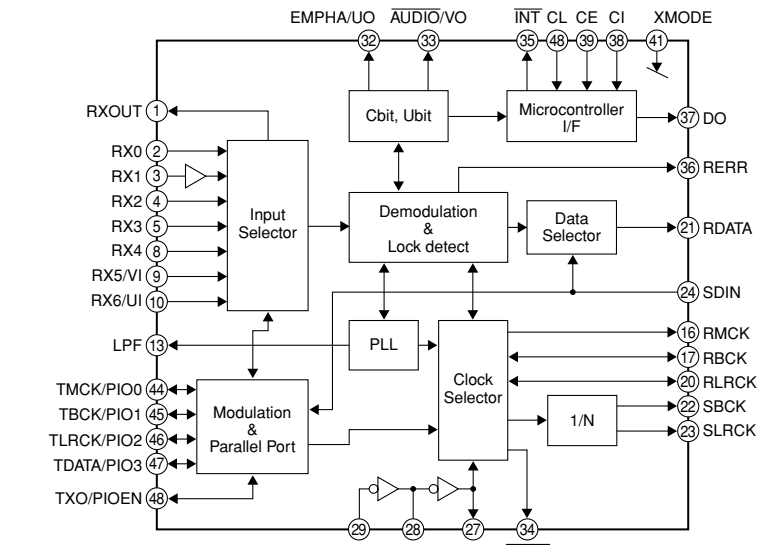
IC502: SN74AHC00PWR
Quadruple 2-input NAND gate



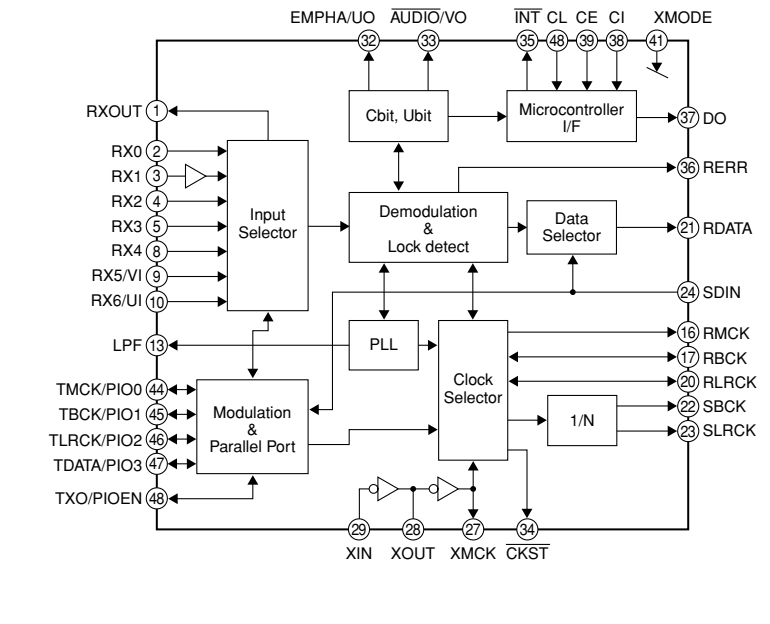
IC503: 509: SN74LV157APWR
Quadruple 2-line to 1-line data selectors/multiplexers



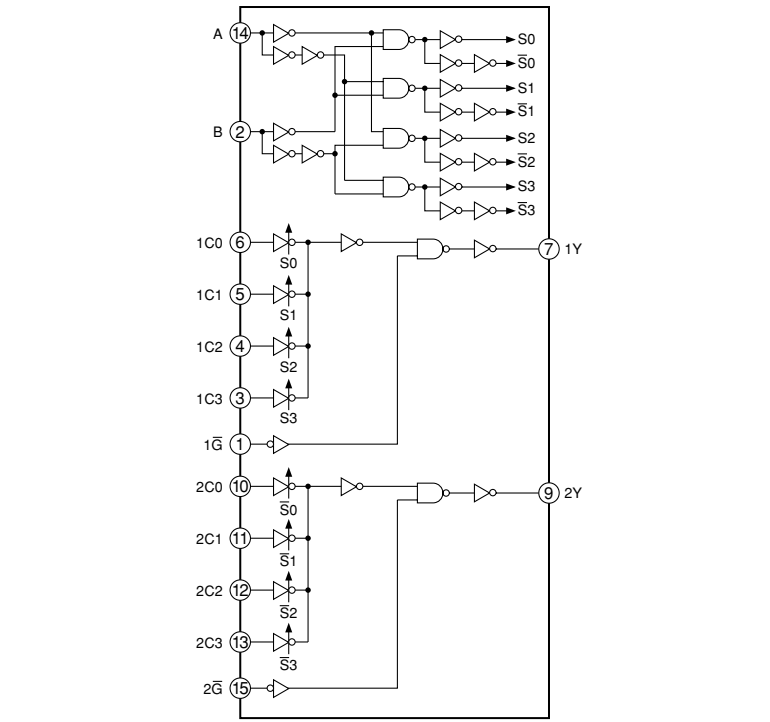
IC504, 505: SN74LS151NSR
8-input multiplexer



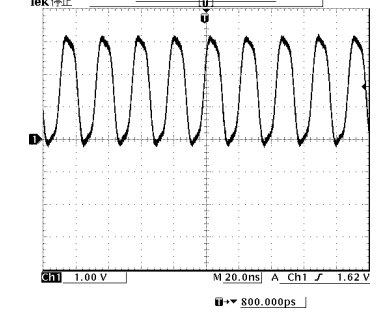
IC506: LC89057W-VF4D-E
Digital audio interface transceiver



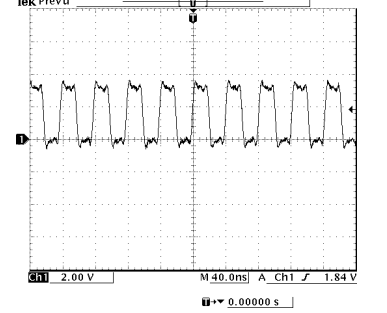
IC507, 508: TC74VHC153FT
Dual 4-channel multiplexer



POINT (D-2) Pin 26 of IC510



POINT (D-3) Pin 29 of IC506



* All voltages are measured with a 10MΩ/V DC electronic voltmeter.
* Components having special characteristics are marked [] and must be replaced with parts having specifications equal to those originally installed.
* Schematic diagram is subject to change without notice.
● 電圧は、内部抵抗10MΩの電圧計で測定したものです。
● []印のある部品は、安全性確保部品を示しています。部品の交換が必要な場合、パーツリストに記載されている部品を使用してください。
● 本回路図は標準回路図です。改良のため予告なく変更することがございます。

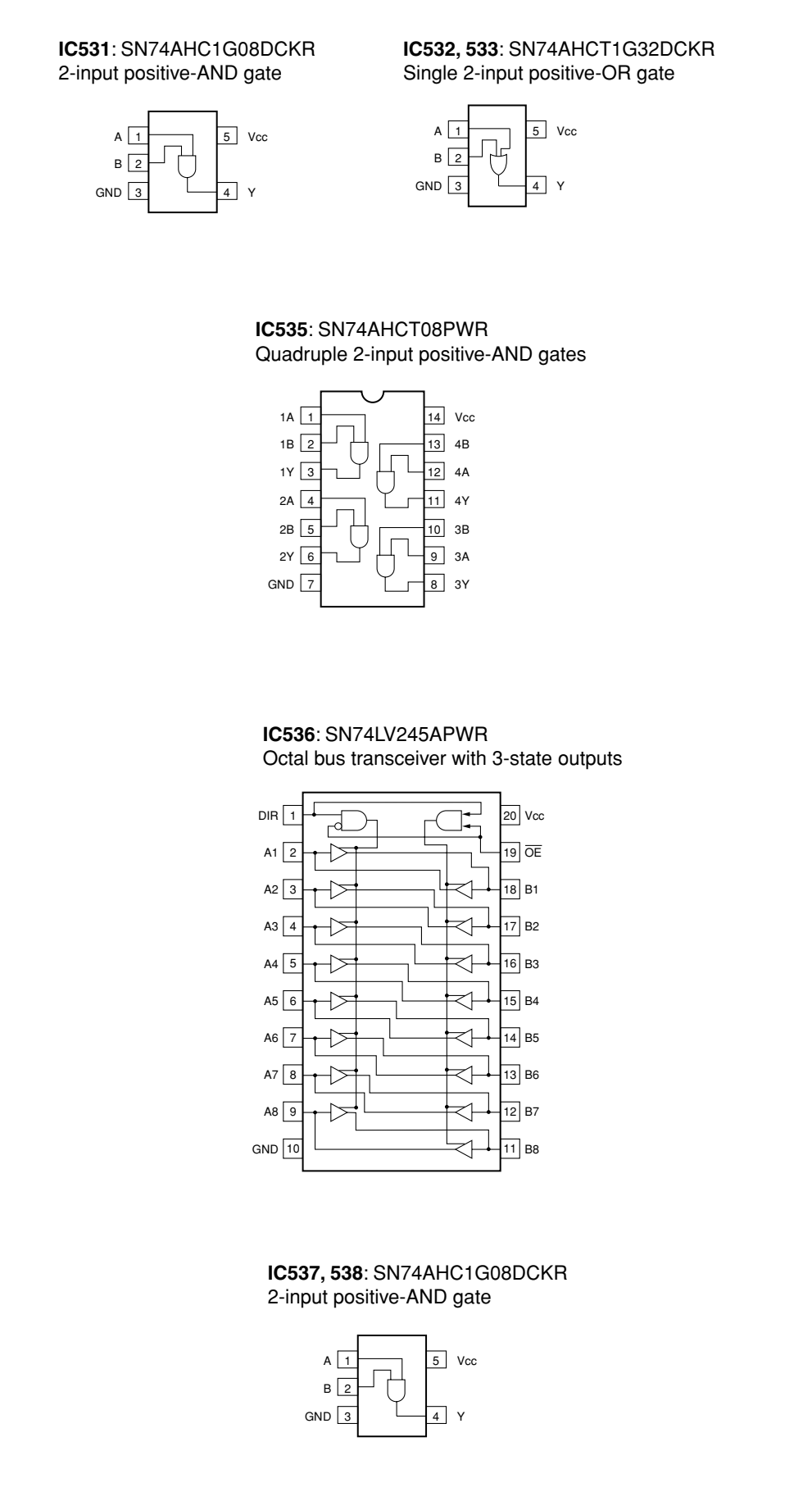
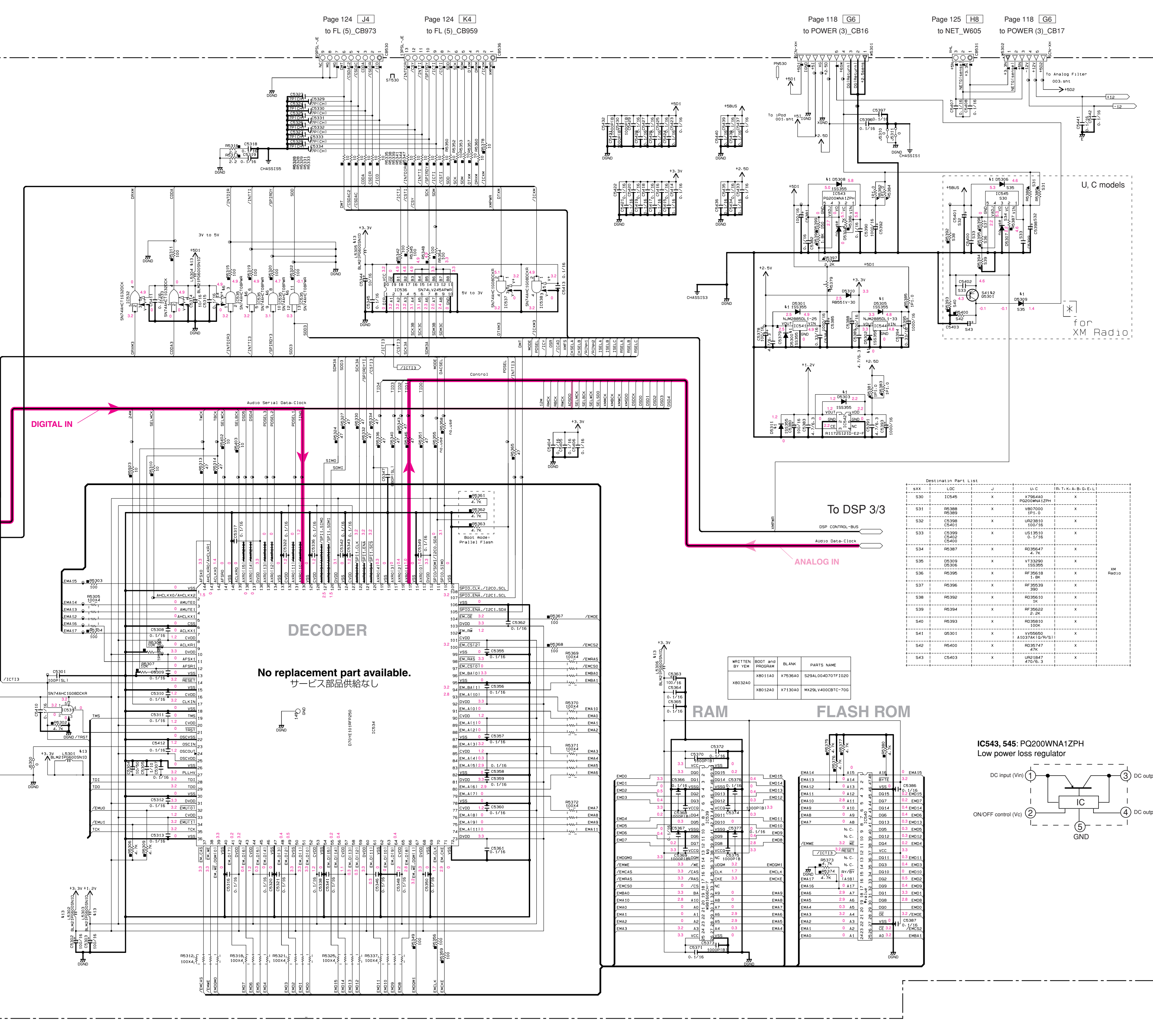
DSP 2/3

DSP

NOTICE (mode1)
(J)..... JAPAN
(U)..... U.S.A
(C)..... CANADA
(R)..... GENERAL
(T)..... CHINA
(K)..... KOREA
(A)..... AUSTRALIA
(B)..... BRITISH
(G)..... EUROPE
(L)..... SINGAPORE
(E)..... SOUTH EUROPE
(V)..... TAIWAN

Table with 2 columns: CAPACITOR, PARTS_NAME. Lists various capacitor types like ELECTROLYTIC, TANTALUM, CERAMIC, etc.

Table with 2 columns: RESISTOR, PARTS_NAME. Lists various resistor types like CARBON FILM, METAL OXIDE FILM, etc.



Destination Parts List table with columns: sxx, LOC, J, U-C, DR. T, K, A, B, D, E, L.

Table with columns: WRITTEN BY, YEAR, BOOT AND PROGRAM, BLANK, PARTS NAME. Lists specific component part numbers.

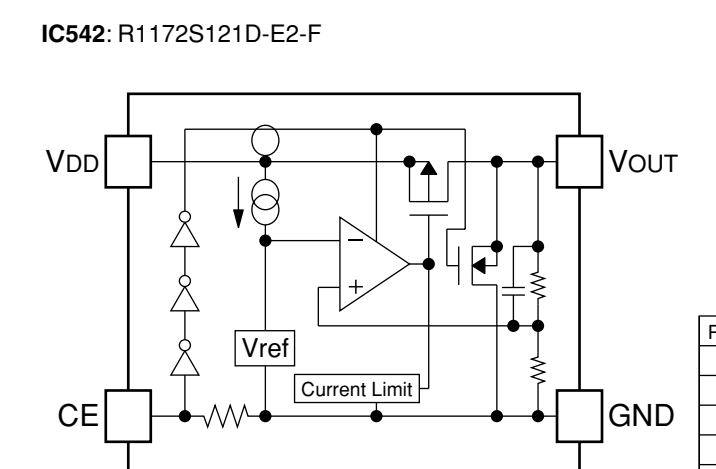
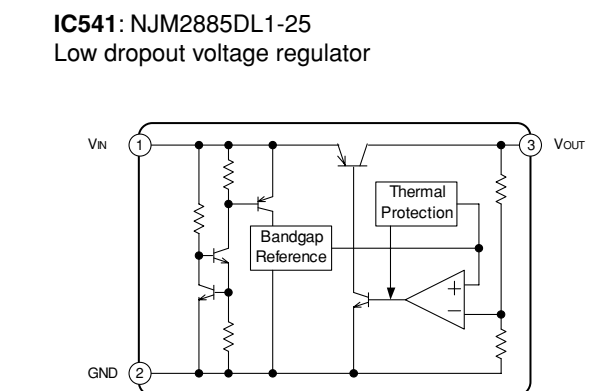
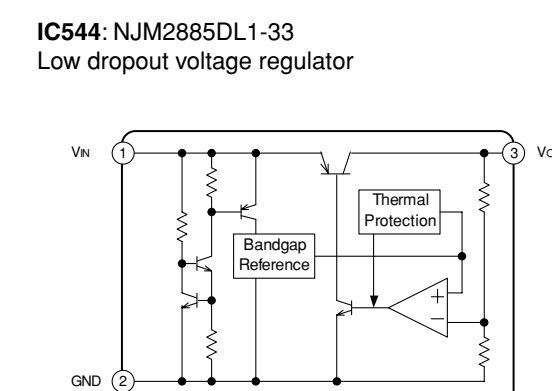
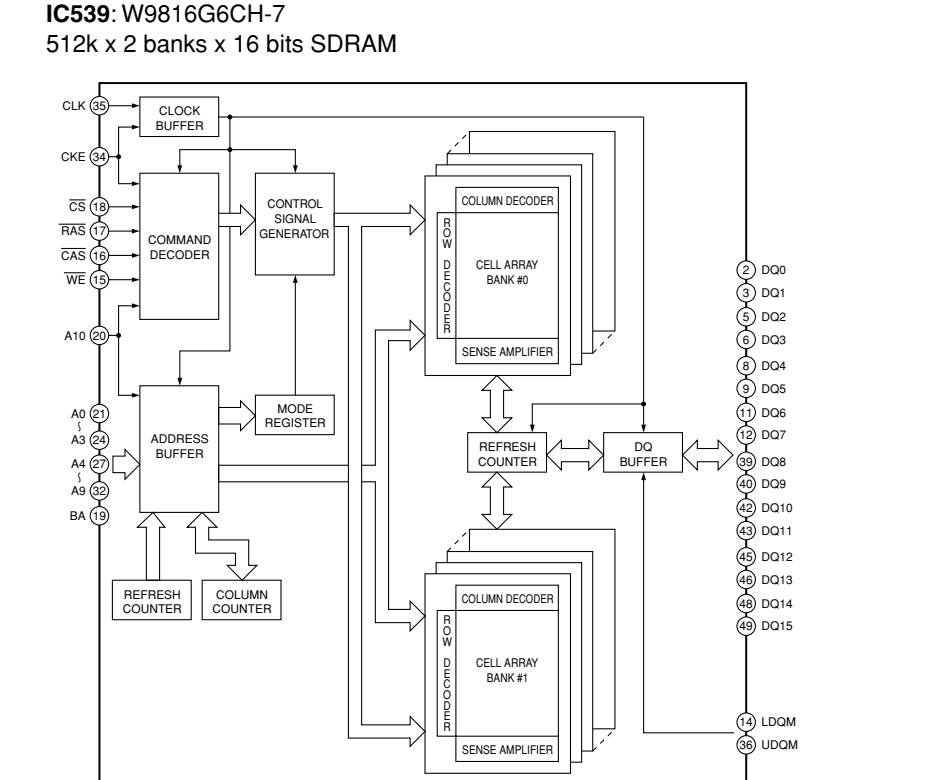
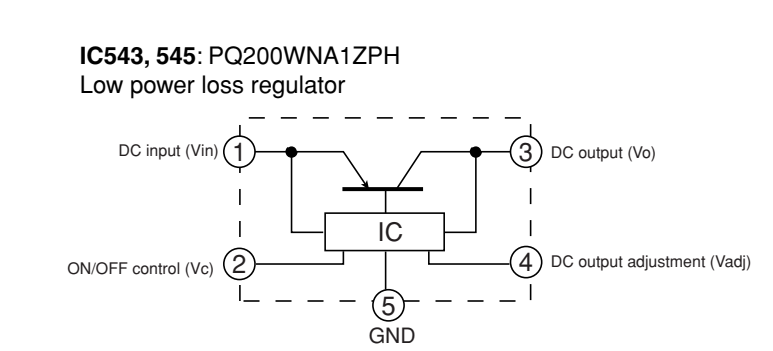
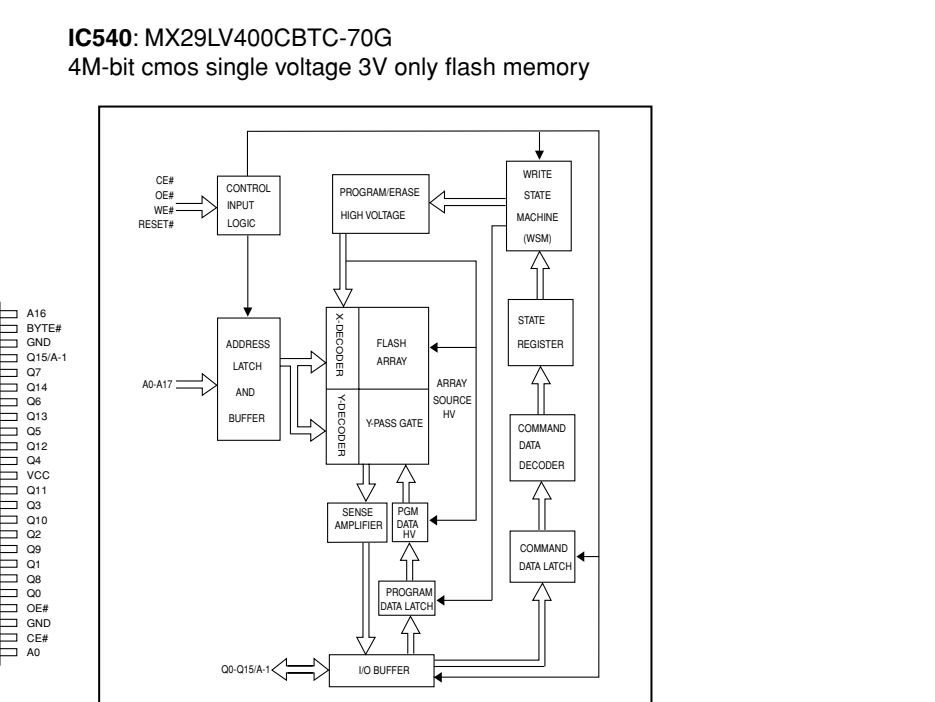


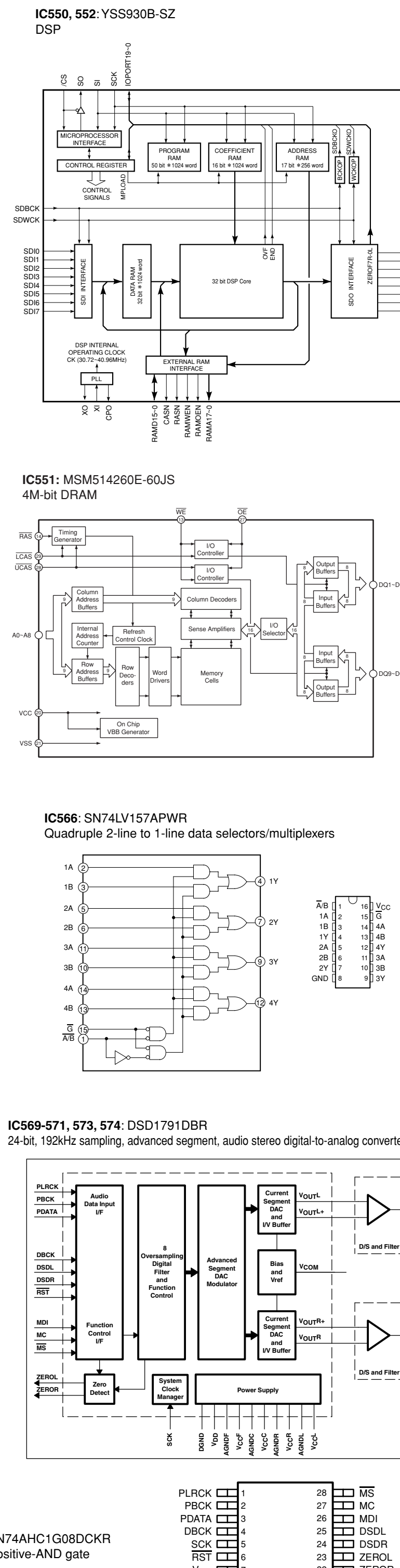
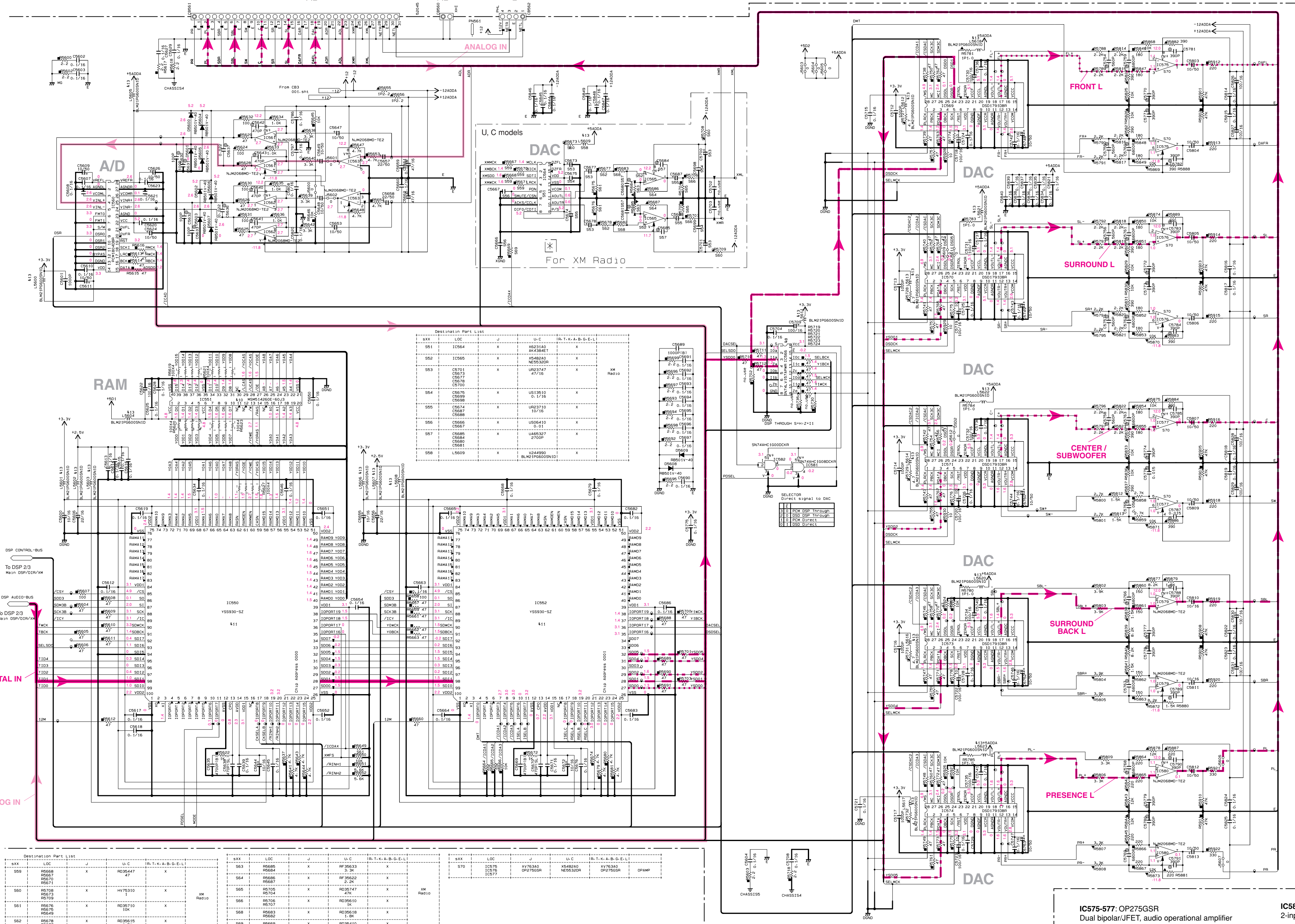
Table with 3 columns: Pin No., Symbol, Description. Lists pins 1 through 6 for the voltage regulator.



All voltages are measured with a 10MΩ/V DC electronic voltmeter. Components having special characteristics are marked with a triangle and must be replaced with parts having specifications equal to those originally installed.

DSP

Page 114 [A5] to FUNCTION (2)_CB300
Page 115 [B3] to FUNCTION (2)_W3503
Page 127 [L2] to NET_W751

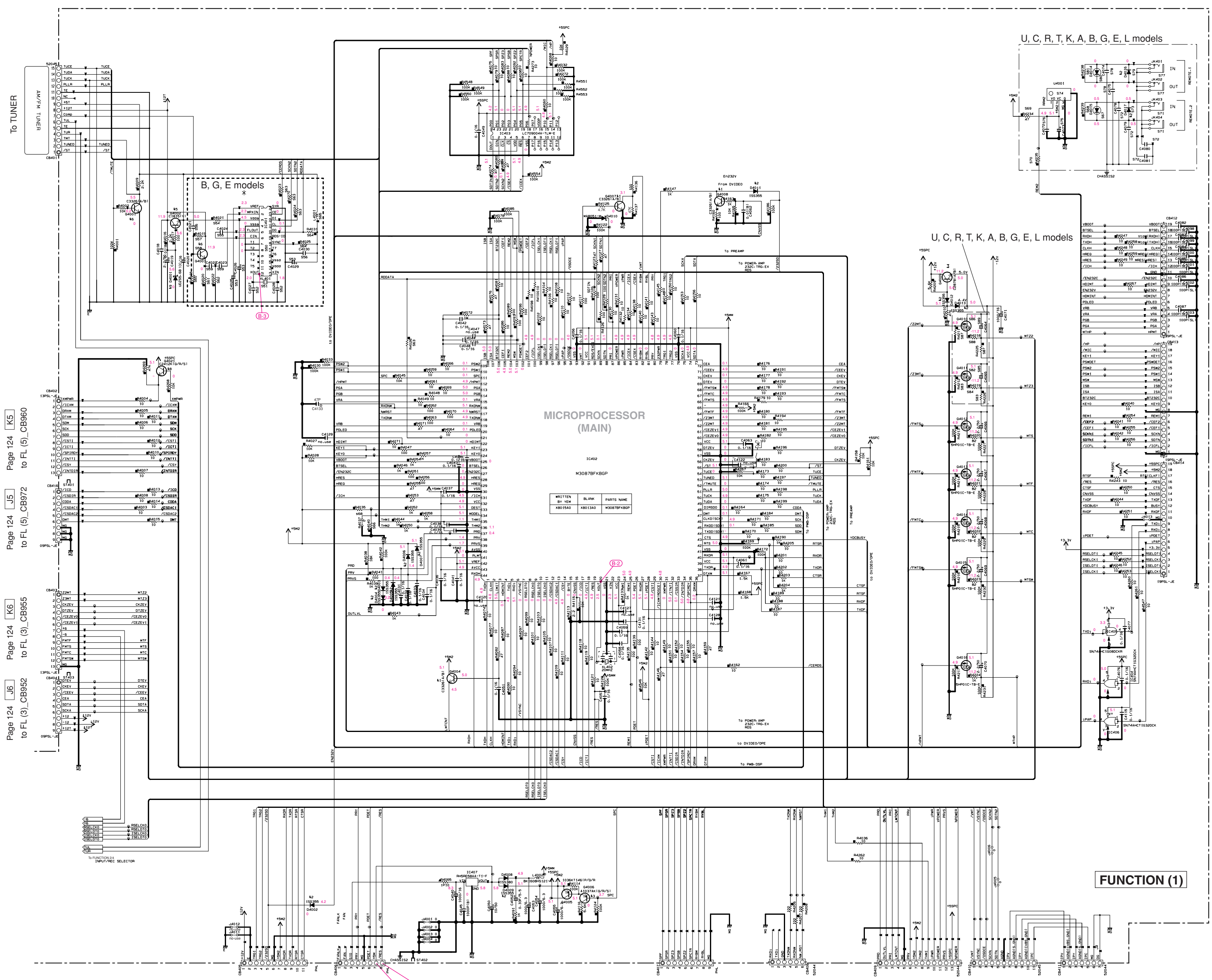


NOTICE (model)

- (J)..... JAPAN
- (U)..... U.S.A
- (C)..... CANADA
- (R)..... GENERAL
- (T)..... CHINA
- (K)..... KOREA
- (A)..... AUSTRALIA
- (B)..... BRITISH
- (G)..... EUROPE
- (S)..... SINGAPORE
- (E)..... SOUTH EUROPE
- (V)..... TAIWAN

* All voltages are measured with a 10MΩ/V DC electronic voltmeter.
 * Components having special characteristics are marked with a triangle (▲), and must be replaced with parts having specifications equal to those originally installed.
 * Schematic diagram is subject to change without notice.
 ● 電圧は、内部抵抗10MΩの電圧計で測定したものです。
 ● ▲印のある部品は、安全な確保部品を示しています。部品の交換が必要な場合、パーツリストに記載されている部品を使用してください。
 ● 本回路図は標準回路図です。改良のため予告なく変更することがございます。

FUNCTION 1/4



NOTICE (重要)

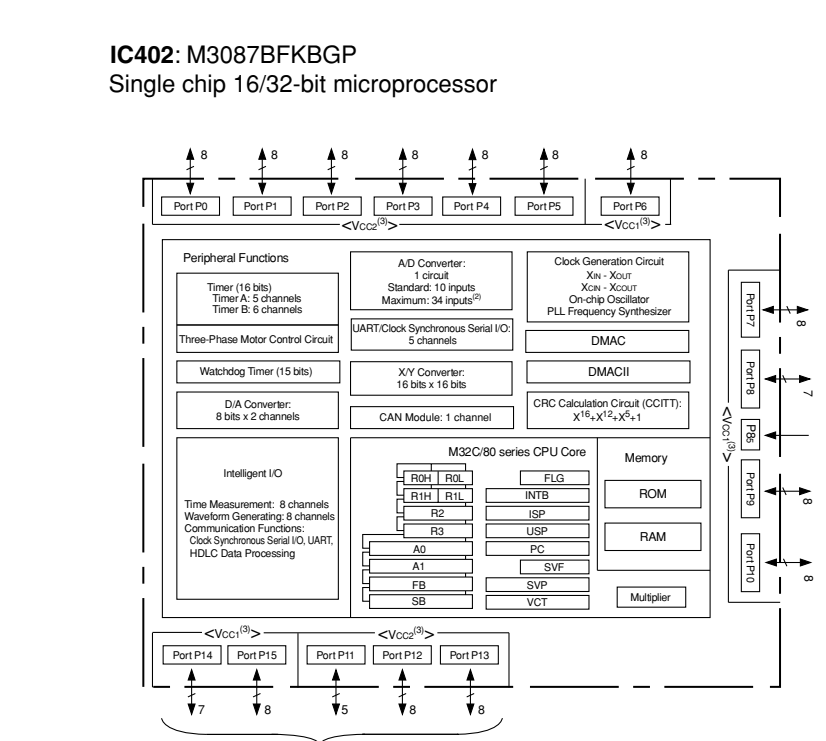
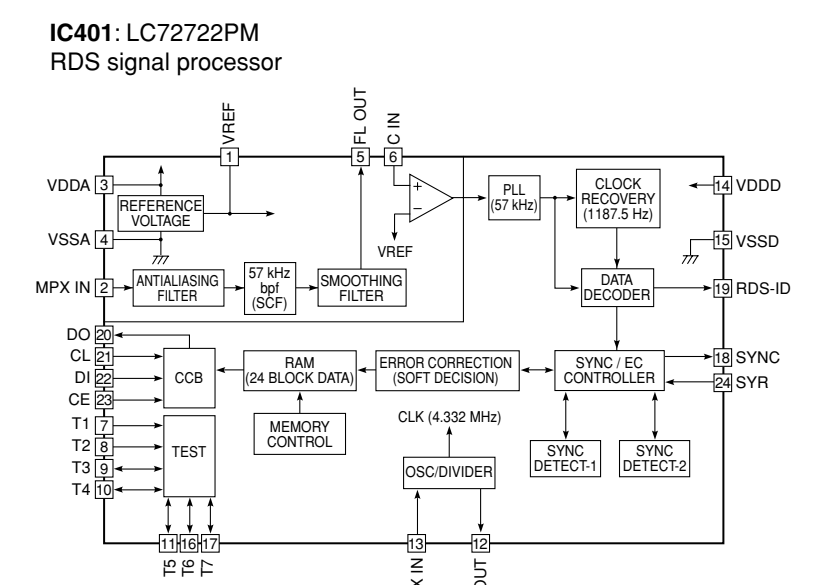
U, C, R, T, K, A, B, G, E, L models

REMARKS	PARTS NAME
NO MARK	CARBON FILM RESISTOR (F-P)
A	METAL OXIDE FILM RESISTOR
AL	METAL ALUMINUM RESISTOR
CF	CEMENT MOLDED RESISTOR
CH	CHIP RESISTOR

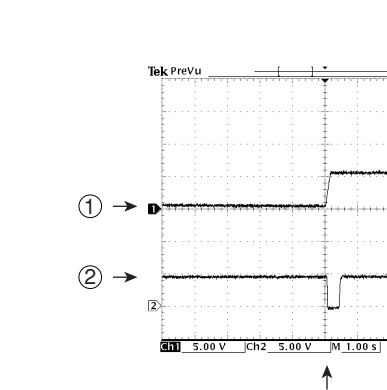
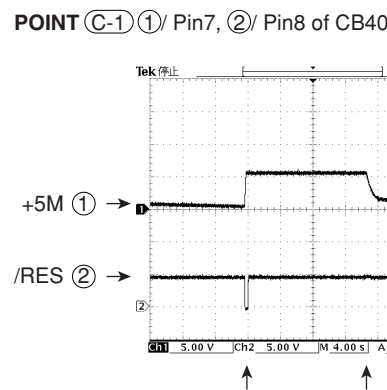
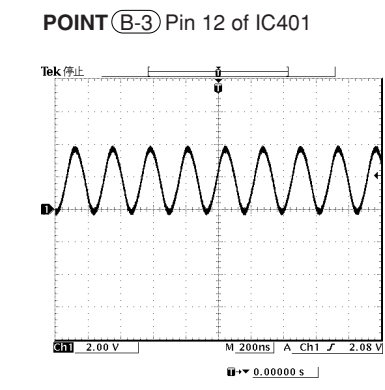
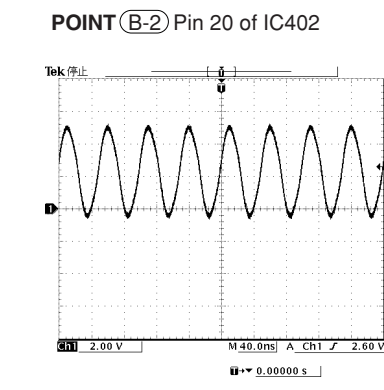
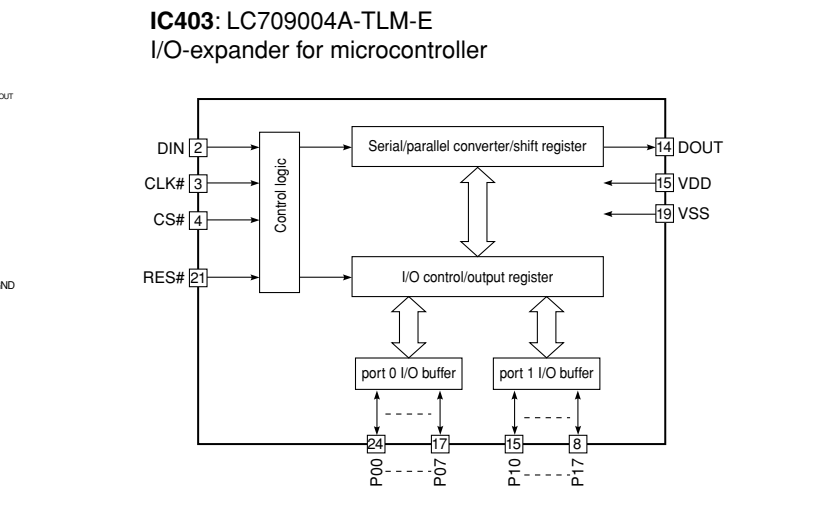
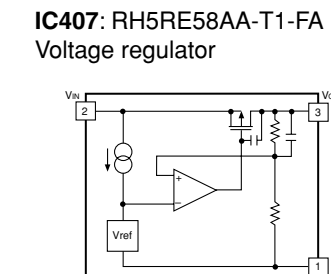
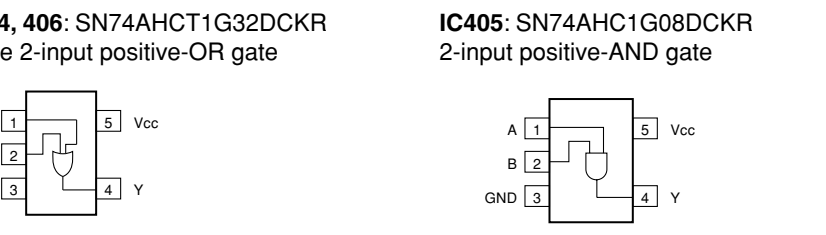
REMARKS	PARTS NAME
NO MARK	ELECTROLYTIC CAPACITOR
AL	ALUMINUM ELECTROLYTIC CAPACITOR
CE	CEMENT MOLDED CAPACITOR
CF	POLYESTER FILM CAPACITOR
CP	POLYPROPYLENE FILM CAPACITOR
CS	POLYCARBONATE FILM CAPACITOR
CS	POLYPROPYLENE FILM CAPACITOR
CS	POLYBUTYLENE SULFIDE FILM CAPACITOR

Part No.	Lot	QTY	U	C	R	T	K	A	B	G	E	L
900	15411	x										
901	44211	x										
902	44212	x										
903	44213	x										
904	44214	x										
905	44215	x										
906	44216	x										
907	44217	x										
908	44218	x										
909	44219	x										
910	44220	x										
911	44221	x										
912	44222	x										
913	44223	x										
914	44224	x										
915	44225	x										
916	44226	x										
917	44227	x										
918	44228	x										
919	44229	x										
920	44230	x										
921	44231	x										
922	44232	x										
923	44233	x										
924	44234	x										
925	44235	x										
926	44236	x										
927	44237	x										
928	44238	x										
929	44239	x										
930	44240	x										
931	44241	x										
932	44242	x										
933	44243	x										
934	44244	x										
935	44245	x										
936	44246	x										
937	44247	x										
938	44248	x										
939	44249	x										
940	44250	x										
941	44251	x										
942	44252	x										
943	44253	x										
944	44254	x										
945	44255	x										
946	44256	x										
947	44257	x										
948	44258	x										
949	44259	x										
950	44260	x										
951	44261	x										
952	44262	x										
953	44263	x										
954	44264	x										
955	44265	x										
956	44266	x										
957	44267	x										
958	44268	x										
959	44269	x										
960	44270	x										
961	44271	x										
962	44272	x										
963	44273	x										
964	44274	x										
965	44275	x										
966	44276	x										
967	44277	x										
968	44278	x										
969	44279	x										
970	44280	x										
971	44281	x										
972	44282	x										
973	44283	x										
974	44284	x										
975	44285	x										
976	44286	x										
977	44287	x										
978	44288	x										
979	44289	x										
980	44290	x										
981	44291	x										
982	44292	x										
983	44293	x										
984	44294	x										
985	44295	x										
986	44296	x										
987	44297	x										
988	44298	x										
989	44299	x										
990	44300	x										
991	44301	x										
992	44302	x										
993	44303	x										
994	44304	x										
995	44305	x										
996	44306	x										
997	44307	x										
998	44308	x										
999	44309	x										
1000	44310	x										

Part No.	Lot	QTY	U	C	R	T	K	A	B	G	E	L
991	44311	x										
992	44312	x										
993	44313	x										
994	44314	x										
995	44315	x										
996	44316	x										
997	44317	x										
998	44318	x										
999	44319	x										
1000	44320	x										



NOTES:
1. Pins P11 to P15 are provided in the 144-pin package only.
2. Included in the 144-pin package only.
3. The supply voltage of IC402 must be Vcc1-Vcc2.

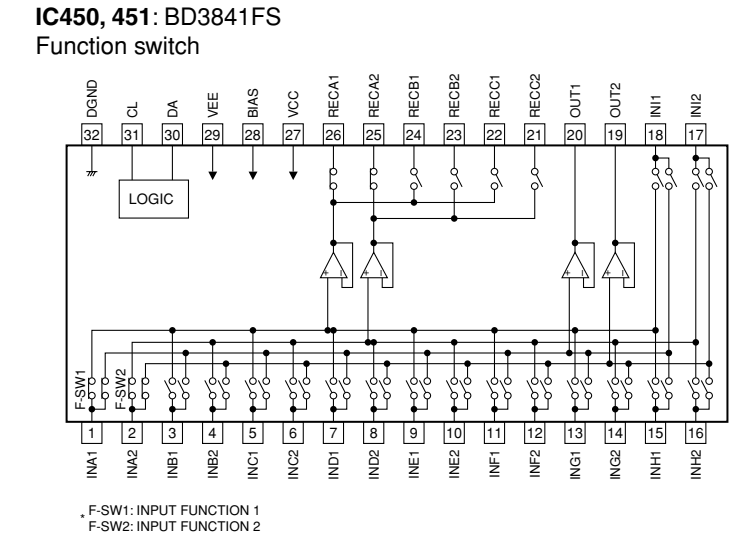
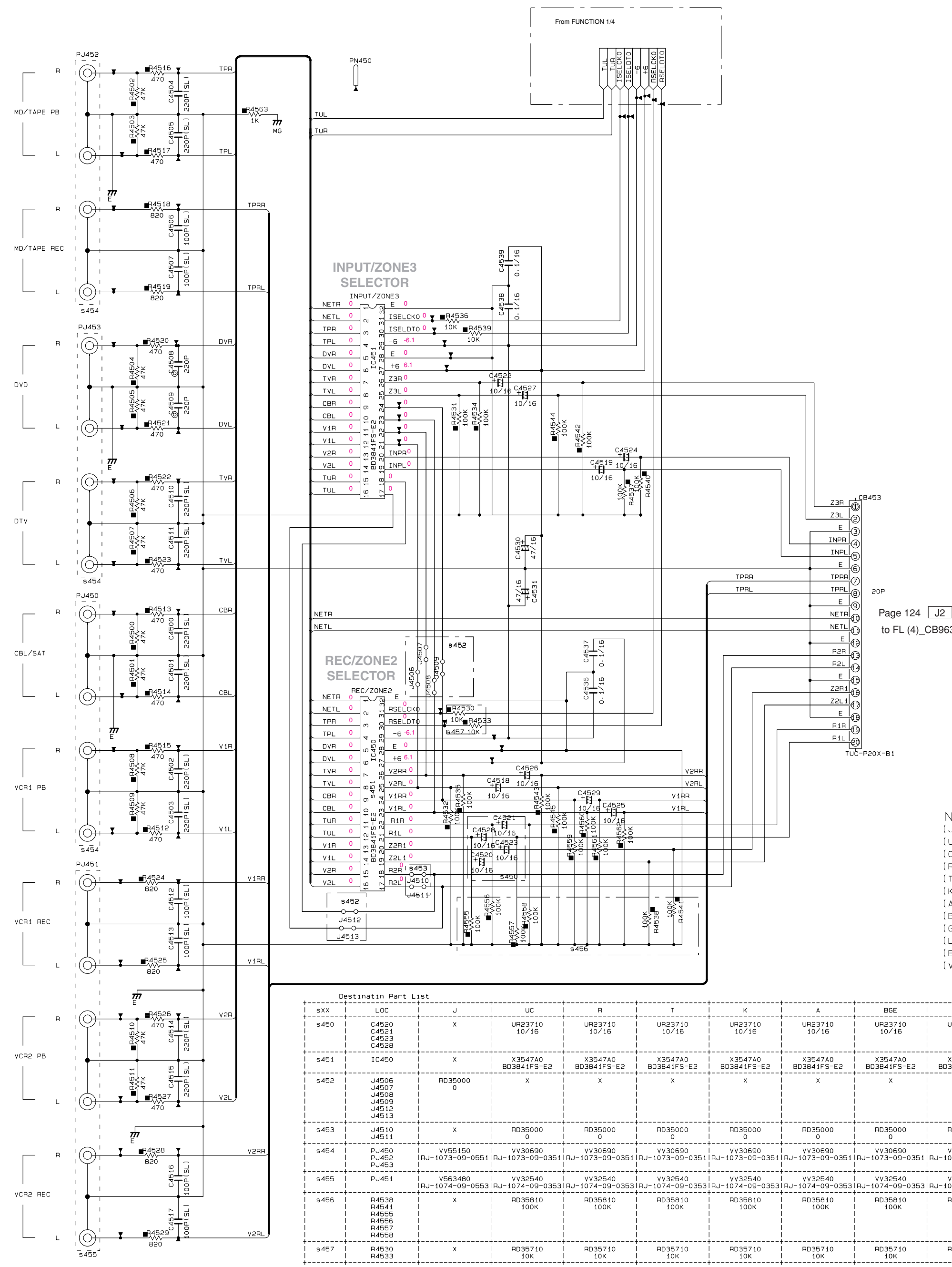


★ All voltages are measured with a 10M Ω /V DC electronic voltmeter.
★ Components having special characteristics are marked with a triangle, and must be replaced with parts having specifications equal to those originally installed.
★ Schematic diagram is subject to change without notice.

● 電圧は、内部抵抗10M Ω の電圧計で測定したものです。
● 印のある部品は、安全性確保部品を示しています。部品の交換が必要な場合、パーツリストに記載されている部品を使用してください。
● 本回路図は標準回路図です。改良のため予告なく変更することがございます。

FUNCTION 2/4

FUNCTION (1)



Page 124 J2 to FL (4)_CB963

NOTICE (mode1)
 (J)..... JAPAN
 (U)..... U.S. A
 (C)..... CANADA
 (R)..... GENERAL
 (T)..... CHINA
 (K)..... KOREA
 (A)..... AUSTRALIA
 (B)..... BRITISH
 (G)..... EUROPE
 (L)..... SINGAPORE
 (E)..... SOUTH
 (V)..... TAIWAN

RESISTOR

REMARKS	PARTS NAME
NO MARK	CARBON FILM RESISTOR (P=5)
□	CARBON FILM RESISTOR (P=10)
△	METAL OXIDE FILM RESISTOR
▲	METAL FILM RESISTOR
⊠	METAL PLATE RESISTOR
▨	FILDE PROOF CARBON FILM RESISTOR
■	CEMENT MOLDED RESISTOR
⊙	SEMI VARIABLE RESISTOR
■	CHIP RESISTOR

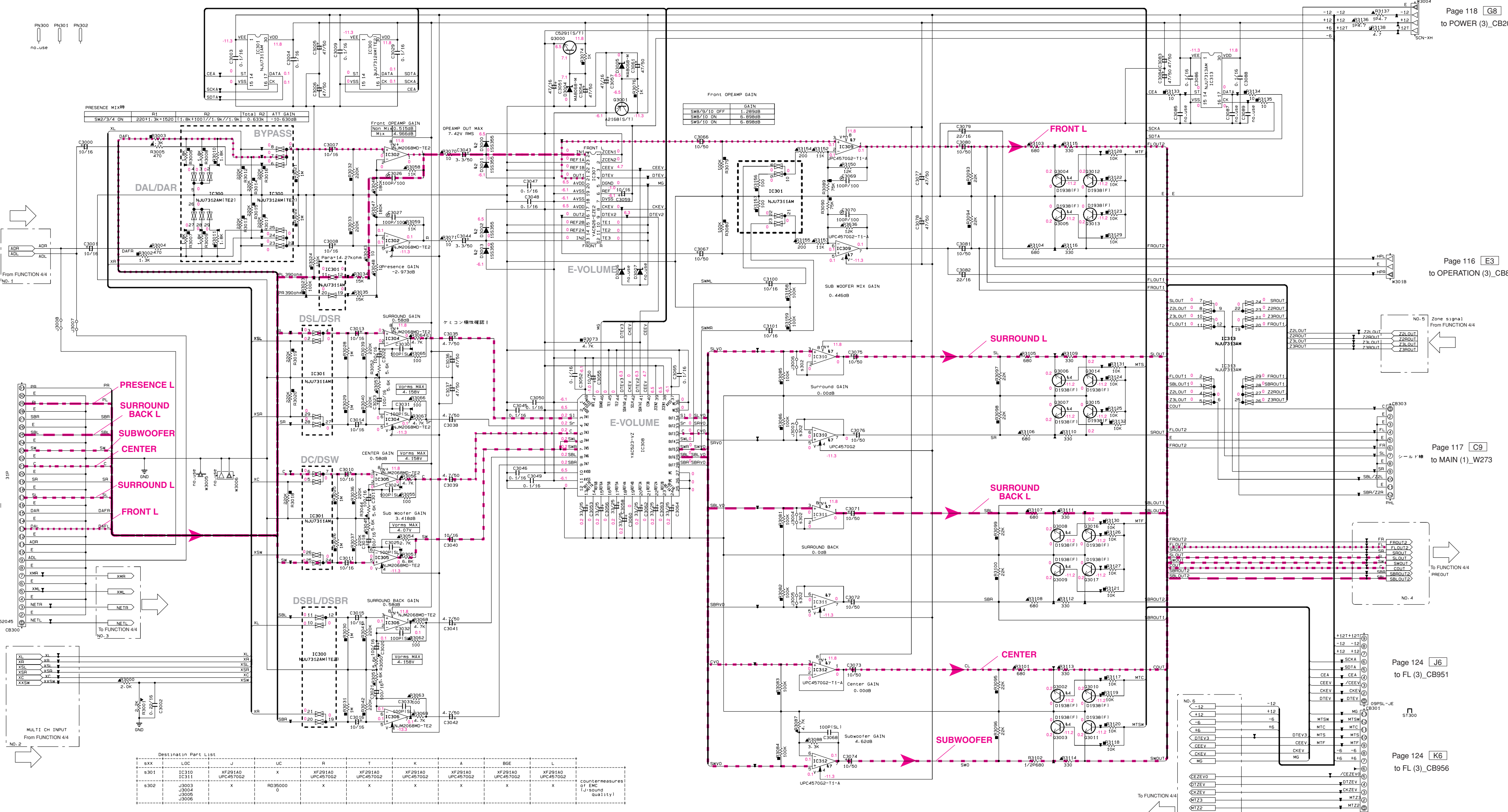
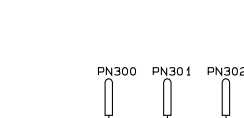
CAPACITOR

REMARKS	PARTS NAME
NO MARK	ELECTROLYTIC CAPACITOR
⊙	TANTALUM CAPACITOR
NO MARK	CERAMIC CAPACITOR
●	CERAMIC TUBULAR CAPACITOR
⊙	POLYESTER FILM CAPACITOR
○	POLYSTYRENE FILM CAPACITOR
⊙	MICA CAPACITOR
⊙	POLYPROPYLENE FILM CAPACITOR
●	SEMICONDUCTIVE CERAMIC CAPACITOR
⊙	POLYPHENYLENE SULFIDE FILM CAPACITOR

★ All voltages are measured with a 10MΩ/V DC electronic voltmeter.
 ★ Components having special characteristics are marked with a triangle (▲) and must be replaced with parts having specifications equal to those originally installed.
 ★ Schematic diagram is subject to change without notice.
 ● 電圧は、内部抵抗10MΩの電圧計で測定したものです。
 ● ▲印のある部品は、安全性確保部品を示しています。部品の交換が必要な場合、パーツリストに記載されている部品を使用してください。
 ● 本回路図は標準回路図です。改良のため予告なく変更することがございます。

FUNCTION 3/4

FUNCTION (2)



Page 118 [G8] to POWER (3)_CB20

Page 116 [E3] to OPERATION (3)_CB806

Page 117 [C9] to MAIN (1)_W273

Page 124 [J6] to FL (3)_CB951

Page 124 [K6] to FL (3)_CB956

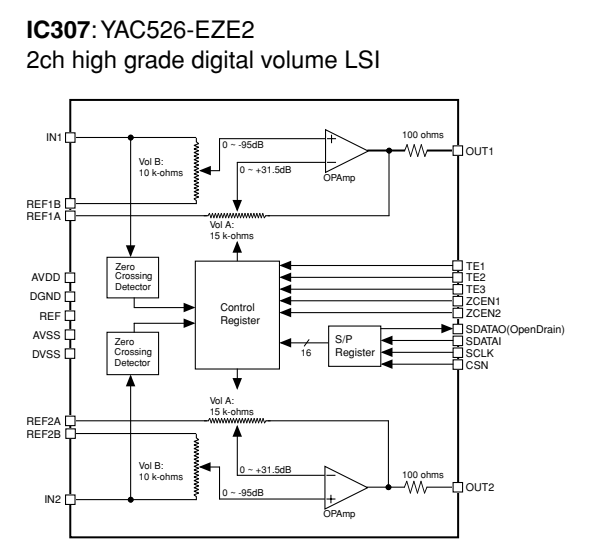
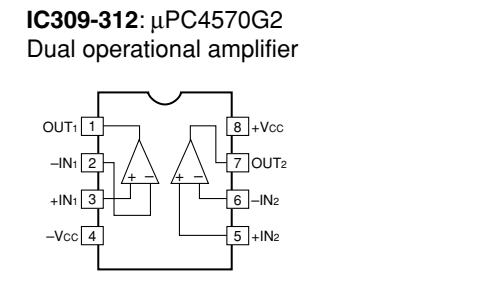
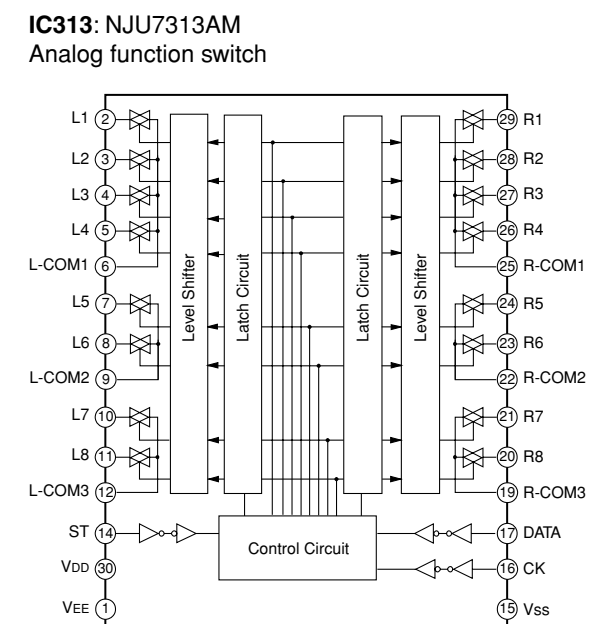
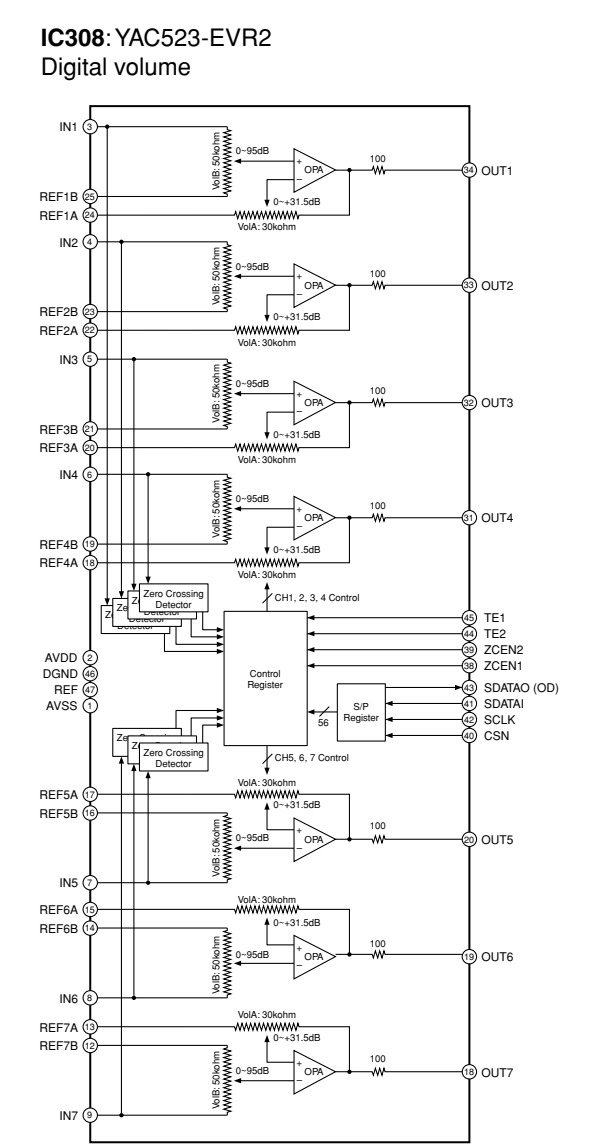
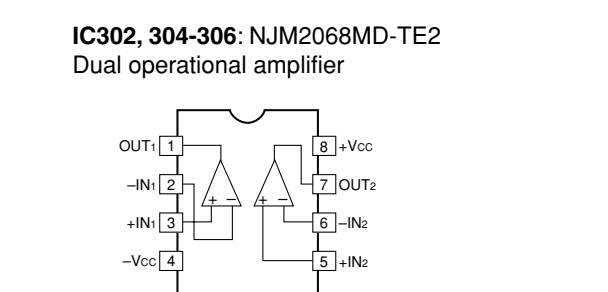
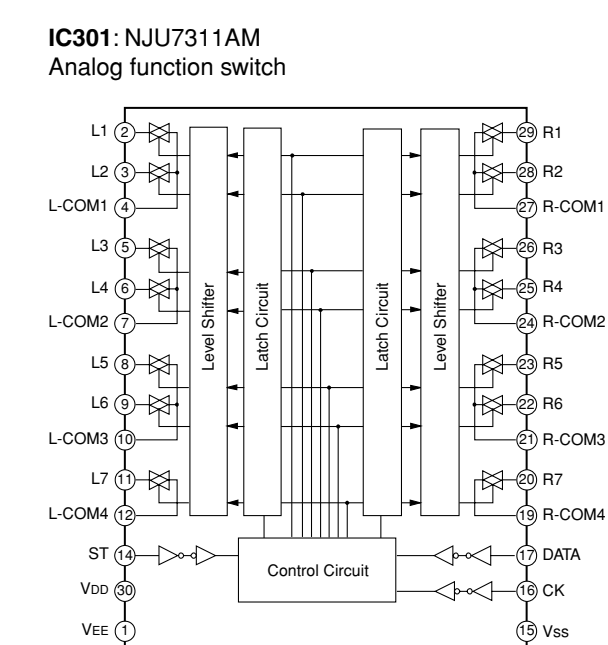
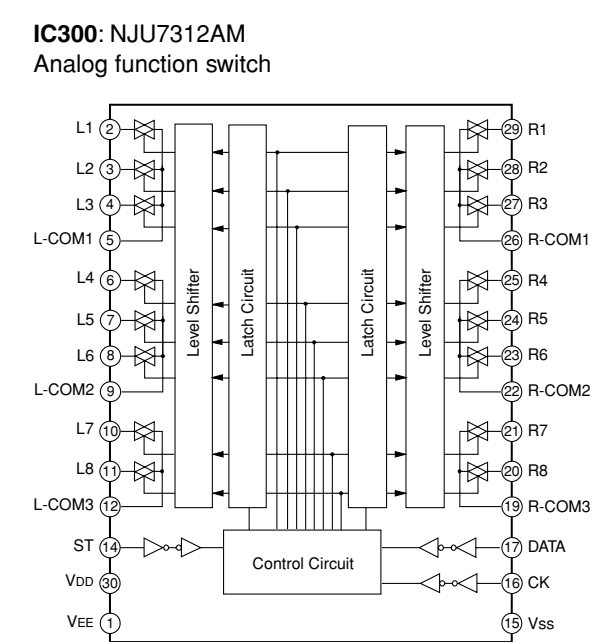
Destination Part List	UC	R	C	A	DOC	Countermeasures of EMC (Reference to G8111)
1901 IC310 HF29140 UPC45702G	X					
1901 IC311 HF29140 UPC45702G	X					
1901 IC312 HF29140 UPC45702G	X					
1901 IC313 HF29140 UPC45702G	X					
1901 IC314 HF29140 UPC45702G	X					
1901 IC315 HF29140 UPC45702G	X					
1901 IC316 HF29140 UPC45702G	X					
1901 IC317 HF29140 UPC45702G	X					
1901 IC318 HF29140 UPC45702G	X					
1901 IC319 HF29140 UPC45702G	X					
1901 IC320 HF29140 UPC45702G	X					
1901 IC321 HF29140 UPC45702G	X					
1901 IC322 HF29140 UPC45702G	X					
1901 IC323 HF29140 UPC45702G	X					
1901 IC324 HF29140 UPC45702G	X					
1901 IC325 HF29140 UPC45702G	X					
1901 IC326 HF29140 UPC45702G	X					
1901 IC327 HF29140 UPC45702G	X					
1901 IC328 HF29140 UPC45702G	X					
1901 IC329 HF29140 UPC45702G	X					
1901 IC330 HF29140 UPC45702G	X					
1901 IC331 HF29140 UPC45702G	X					
1901 IC332 HF29140 UPC45702G	X					
1901 IC333 HF29140 UPC45702G	X					
1901 IC334 HF29140 UPC45702G	X					
1901 IC335 HF29140 UPC45702G	X					
1901 IC336 HF29140 UPC45702G	X					
1901 IC337 HF29140 UPC45702G	X					
1901 IC338 HF29140 UPC45702G	X					
1901 IC339 HF29140 UPC45702G	X					
1901 IC340 HF29140 UPC45702G	X					
1901 IC341 HF29140 UPC45702G	X					
1901 IC342 HF29140 UPC45702G	X					
1901 IC343 HF29140 UPC45702G	X					
1901 IC344 HF29140 UPC45702G	X					
1901 IC345 HF29140 UPC45702G	X					
1901 IC346 HF29140 UPC45702G	X					
1901 IC347 HF29140 UPC45702G	X					
1901 IC348 HF29140 UPC45702G	X					
1901 IC349 HF29140 UPC45702G	X					
1901 IC350 HF29140 UPC45702G	X					

10kΩ 14dB	TOTAL	変位計	TOTAL	変位計	TOTAL
FRONT	0.0 12.5 1.5 14.0	FRONT	0.515 12.5 1.289 14.304	FRONT	0.0 12.5 1.5 14.0
CENTER	0.0 14.0 0.0 14.0	CENTER	0.582 14.0 0.0 14.582	CENTER	0.0 14.0 0.0 14.0
SURROUND	0.0 14.0 0.0 14.0	SURROUND	0.582 14.0 0.0 14.582	SURROUND	0.0 14.0 0.0 14.0
SURROUND BACK	0.0 14.0 0.0 14.0	SURROUND BACK	0.582 14.0 0.0 14.582	SURROUND BACK	0.0 14.0 0.0 14.0
SUB WOOFER	0.0 14.0 0.0 14.0	SUB WOOFER	0.582 14.0 0.0 14.582	SUB WOOFER	0.0 14.0 0.0 14.0
ZONE 4, ZONE 3	0.0 14.0 0.0 14.0	ZONE 4, ZONE 3	0.582 14.0 0.0 14.582	ZONE 4, ZONE 3	0.0 14.0 0.0 14.0

RESISTOR	CAPACITOR
REMARKS	REMARKS
NO MARK CARBON FILM RESISTOR (P=5)	NO MARK ELECTROLYTIC CAPACITOR
△ CARBON OXIDE FILM RESISTOR (P=10)	⊗ TANTALUM CAPACITOR
△ METAL OXIDE FILM RESISTOR	⊙ CERAMIC TUBULAR CAPACITOR
△ METAL FILM RESISTOR	○ POLYESTER FILM CAPACITOR
△ METAL PLATE RESISTOR	○ POLYSTYRENE FILM CAPACITOR
△ FINE PROF. CARBON FILM RESISTOR	○ MICA CAPACITOR
□ CEMENT MOLDED RESISTOR	○ POLYPROPYLENE FILM CAPACITOR
□ SEMI VARIABLE RESISTOR	○ SEMICONDUCTIVE CERAMIC CAPACITOR
■ CHIP RESISTOR	○ POLYPHENYLENE SULFIDE FILM CAPACITOR

NOTICE (mode 1)
 (J)..... JAPAN
 (U)..... U.S.A
 (C)..... CANADA
 (A)..... GENERAL
 (T)..... CHINA
 (K)..... KOREA
 (A)..... AUSTRALIA
 (B)..... BRITAIN
 (G)..... EUROPE
 (L)..... SINGAPORE
 (E)..... SOUTH EUROPE
 (V)..... TAIWAN

- ★ All voltages are measured with a 10MΩ/2V DC electronic voltmeter.
- ★ Components having special characteristics are marked with a triangle (▲), and must be replaced with parts having specifications equal to those originally installed.
- ★ Schematic diagram is subject to change without notice.
- 電圧は、内部抵抗10MΩの電圧計で測定したものです。
- 1印のある部品は、安全性確保部品を示しています。部品の交換が必要な場合、パーツリストに記載されている部品を使用してください。
- 本回路図は標準回路図です。改良のため予告なく変更することがございます。

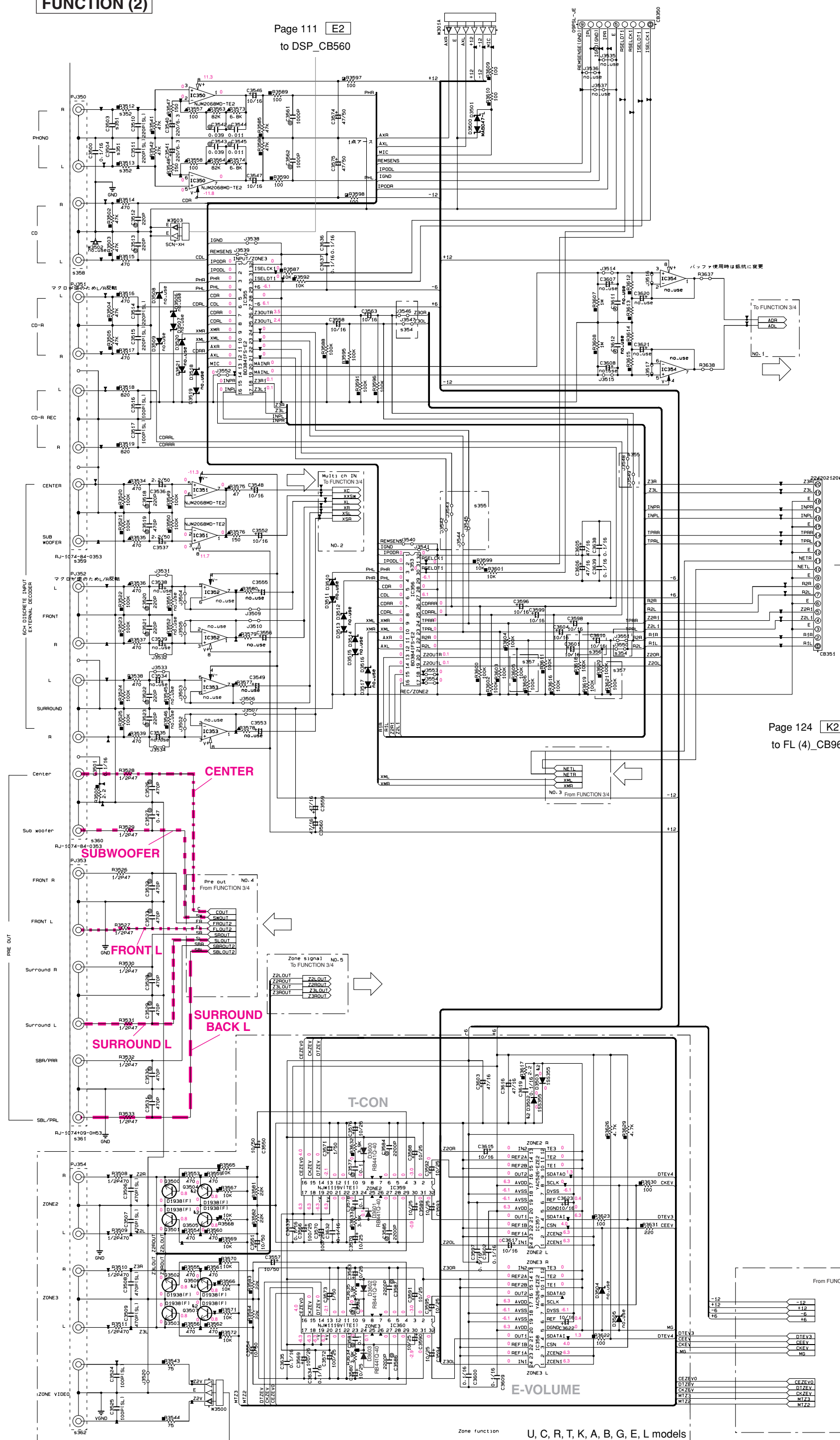


FUNCTION 4/4

Page 116 [E3] to OPERATION (3)_CB806 Page 124 [G6] to FL (2)_CB967

FUNCTION (2)

Page 111 [E2] to DSP_CB560



Page 124 [K2] to FL (4)_CB965

Page 120 [H8] to A-VIDEO_CB209

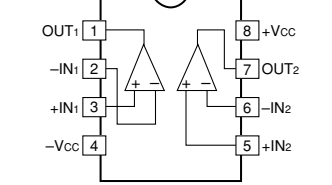
Table with columns for IC part numbers and their locations (LOC) across various functional blocks like DSP, SW, and T-CON.

NOTICE (model) (U) U.S.A. (C) CANADA (B) GENERAL (T) CHINA (K) KOREA (A) AUSTRALIA (G) BRITISH (L) SINGAPORE (E) SOUTH EUROPE (V) TAIWAN

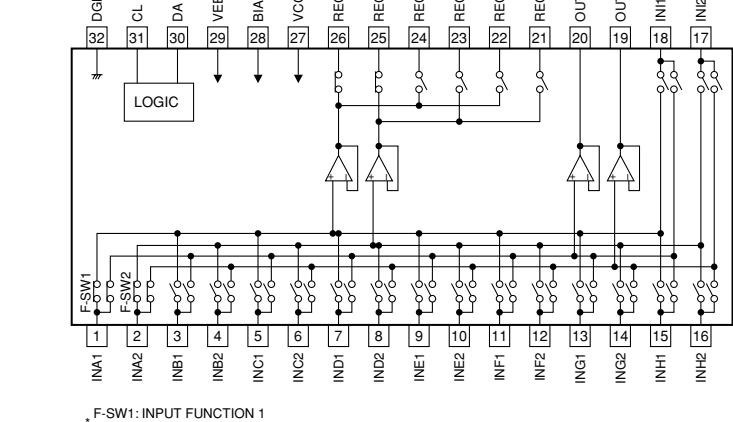
RESISTOR table with columns for REMARKS, PARTS NAME, and values.

CAPACITOR table with columns for REMARKS, PARTS NAME, and values.

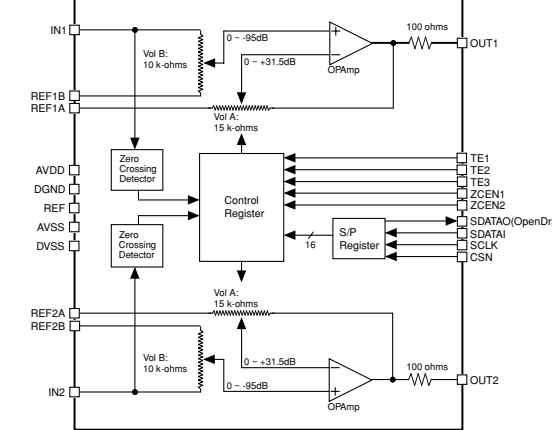
IC350, 351: NJM2068MD-TE2 Dual operational amplifier



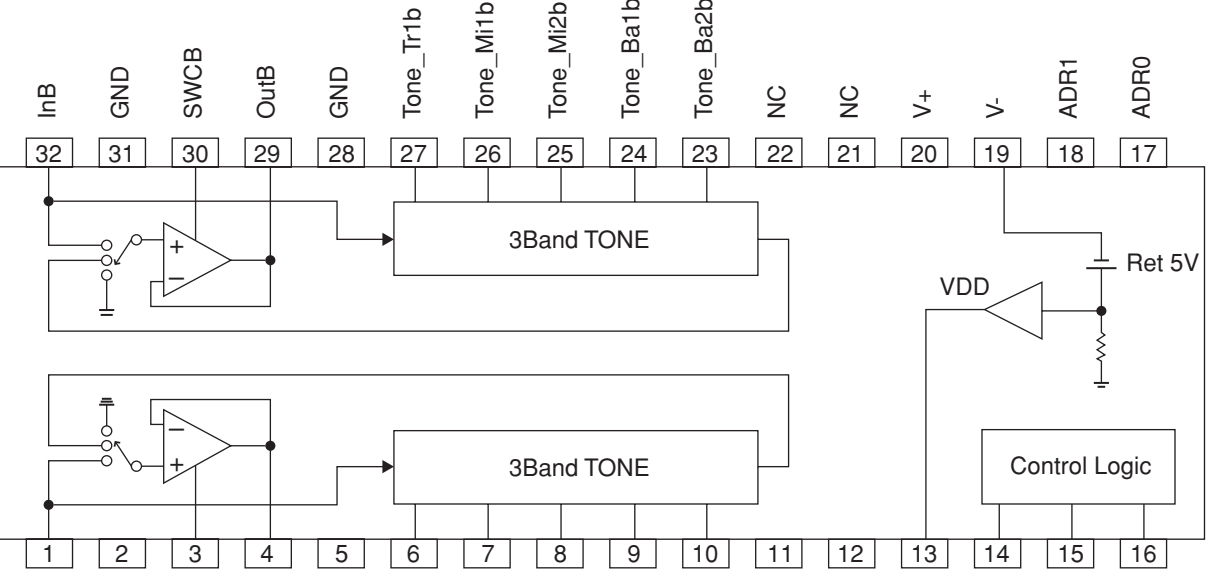
IC355, 356: BD3841FS Function switch



IC357, 358: YAC526-EZE2 2ch high grade digital volume LSI



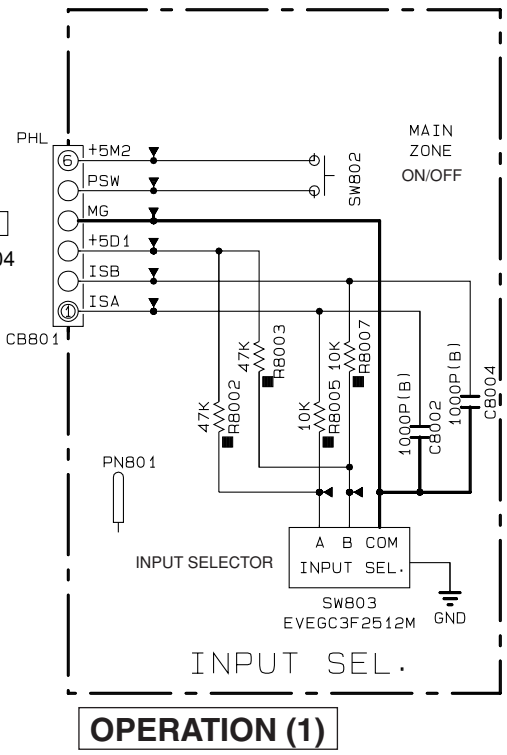
IC359, 360: NJW1119V(Te1) 3band tone control



* All voltages are measured with a 10MΩ/V DC electronic voltmeter. * Components having special characteristics are marked with a triangle and must be replaced with parts having specifications equal to those originally installed. * Schematic diagram is subject to change without notice. * 電圧は、内部抵抗10MΩの電圧計で測定したものです。 * 印のある部品は、安全性確保部品を示しています。部品の交換が必要な場合、パーツリストに記載されている部品を使用してください。 * 本回路図は標準回路図です。改良のため予告なく変更することがございます。

OPERATION

Page 123 [H6]
to FL (1)_W9004



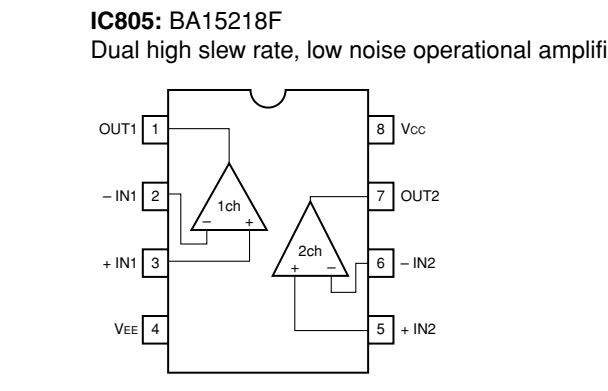
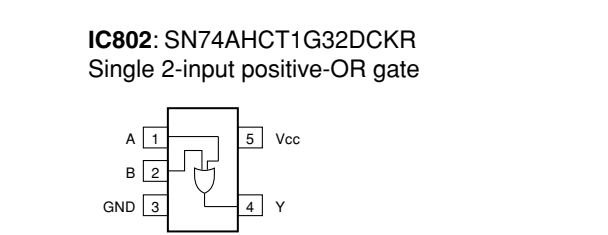
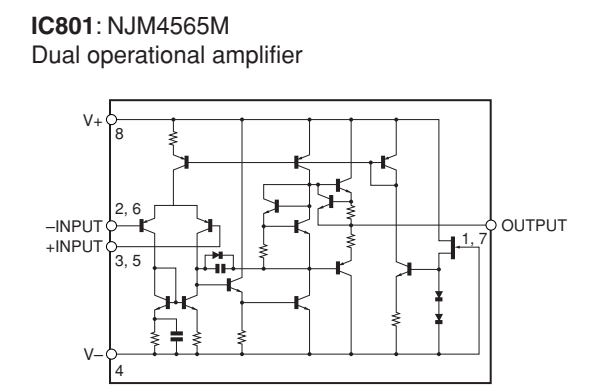
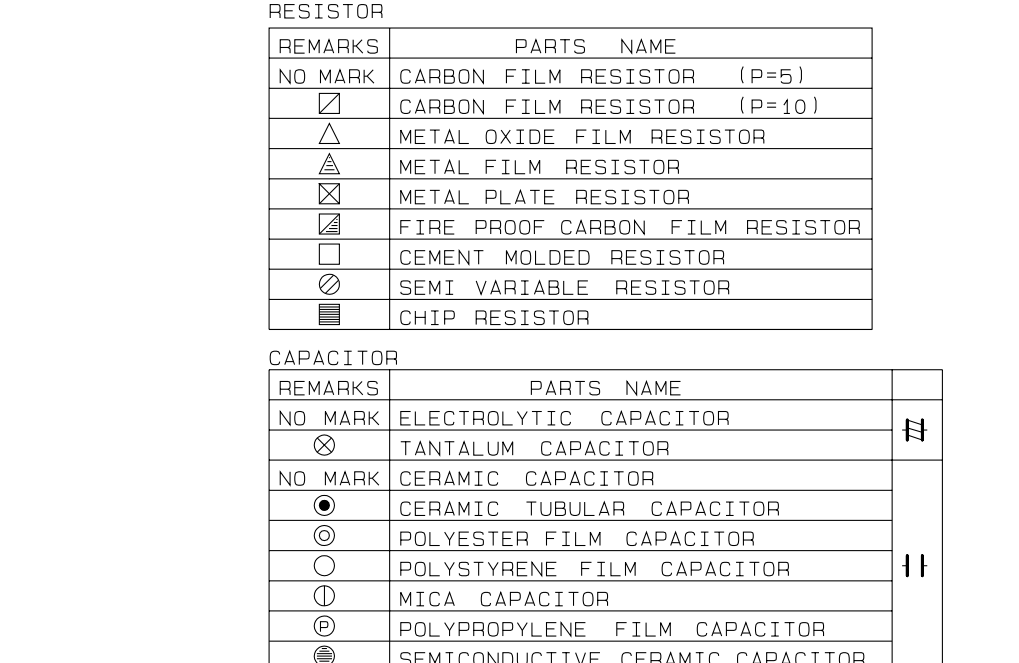
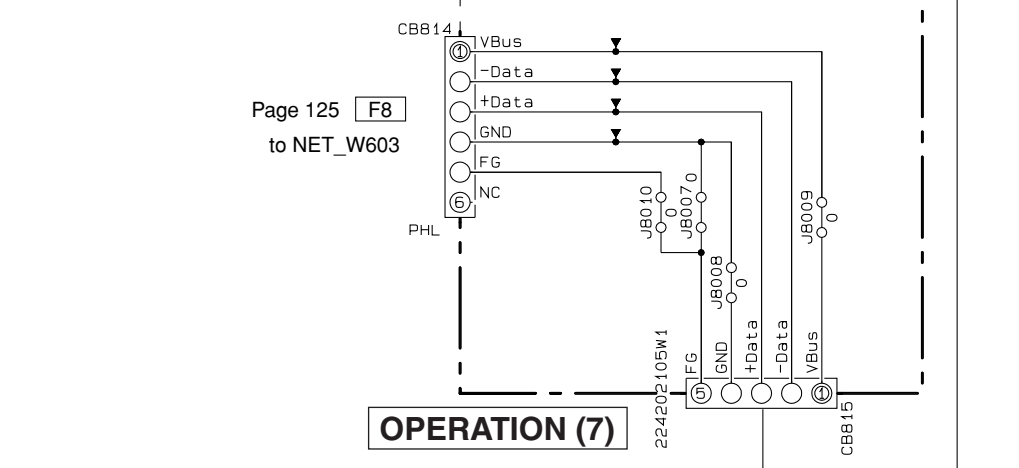
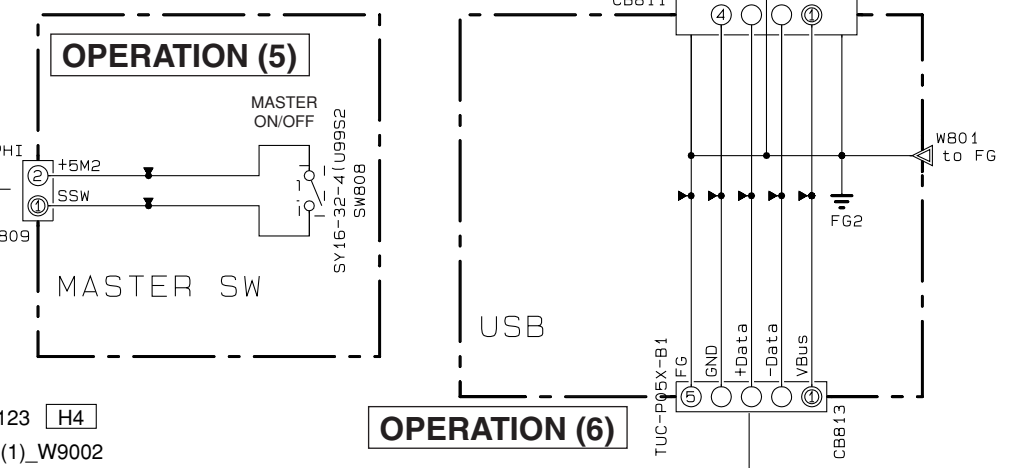
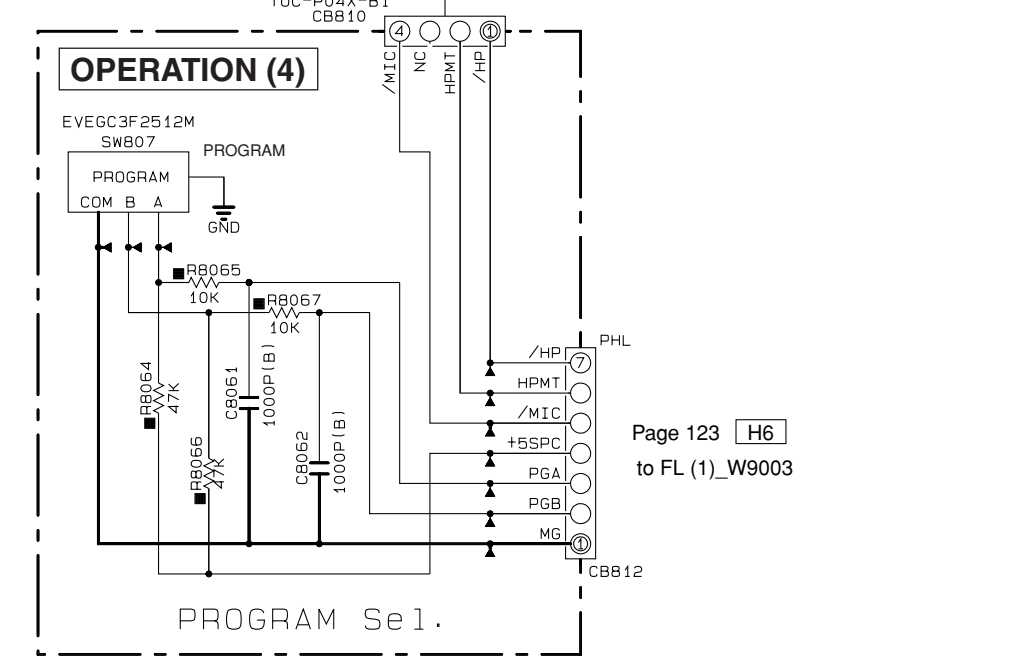
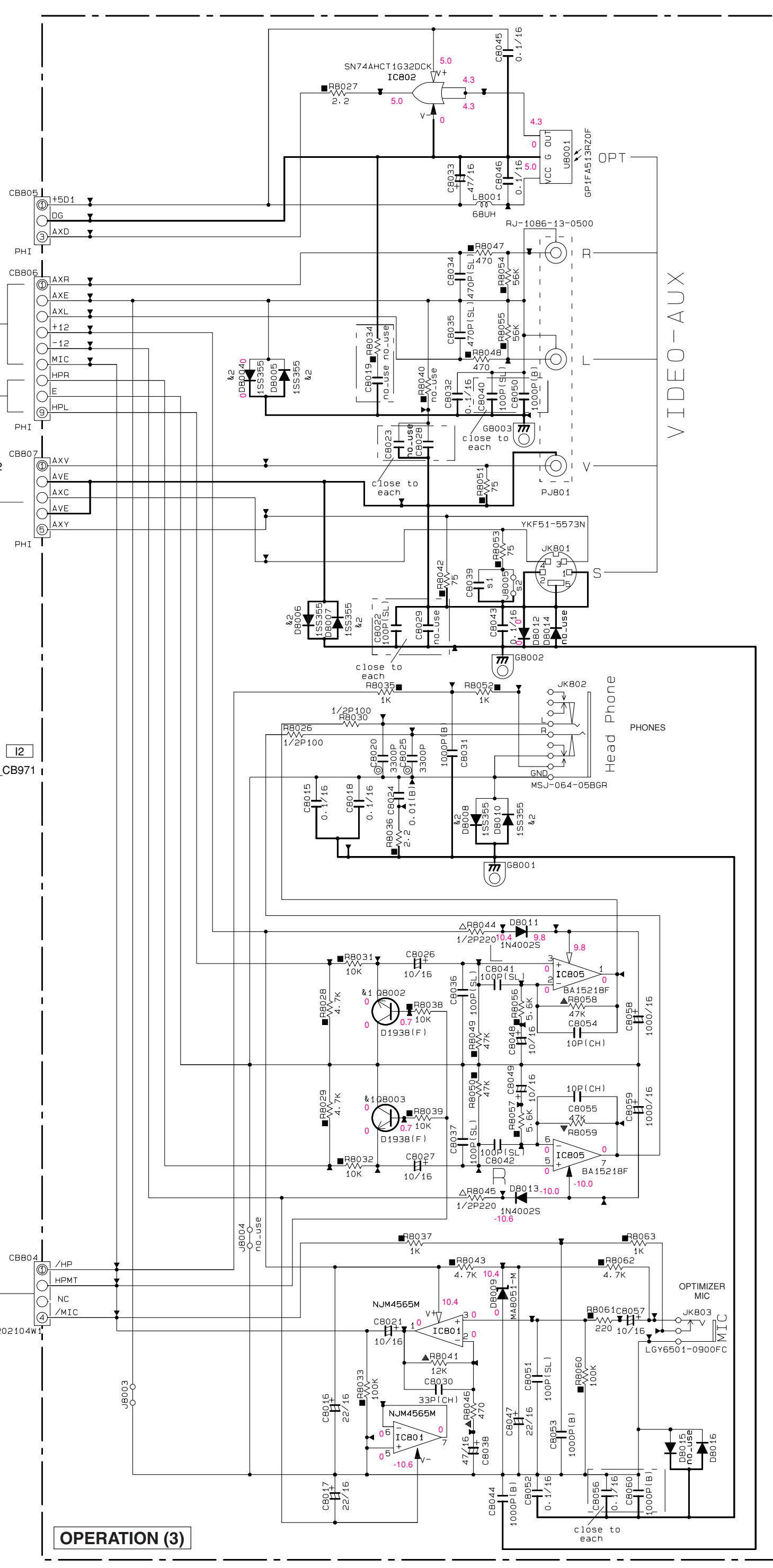
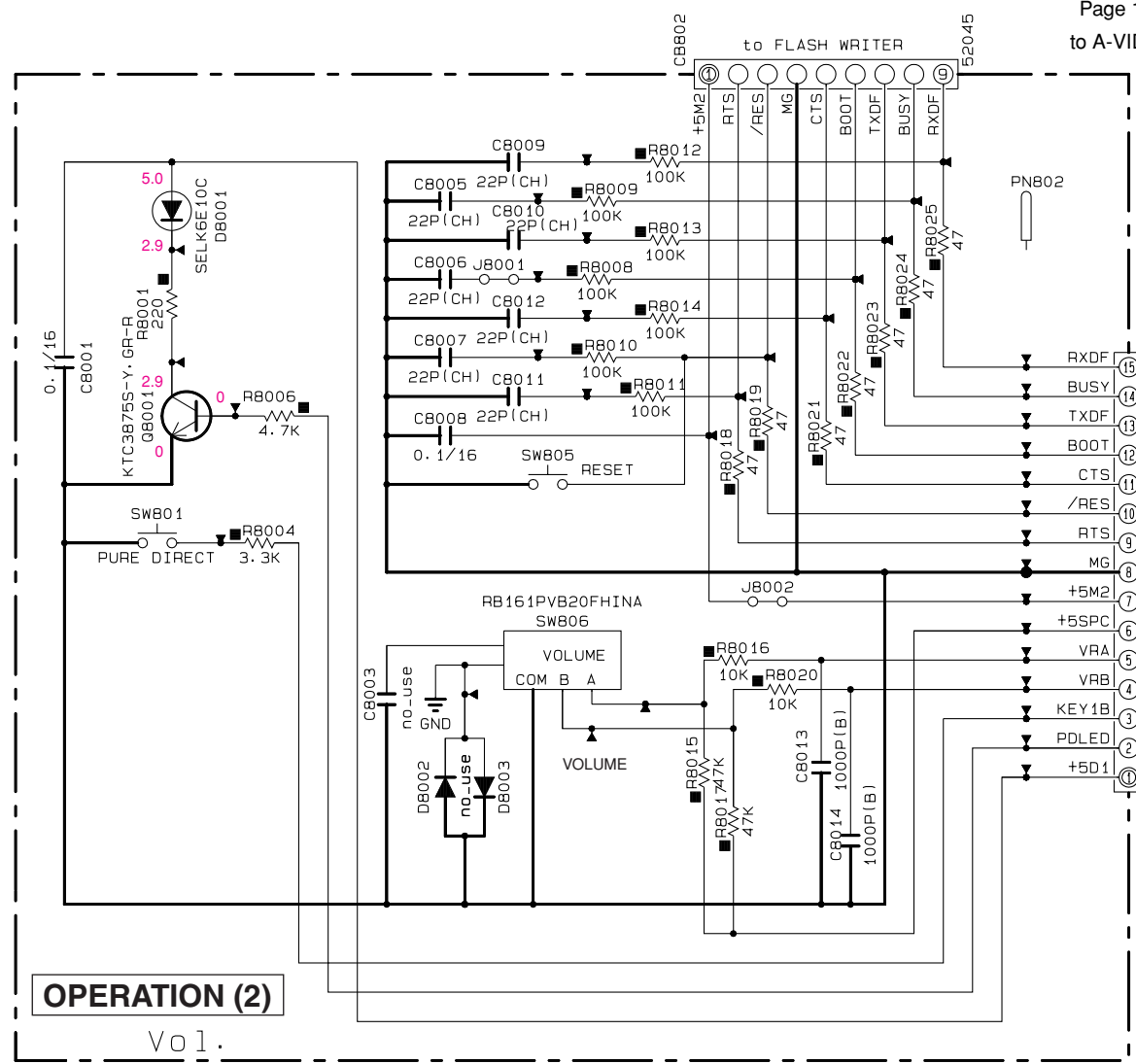
Page 109 [F2]
to DSP_W5001

Page 115 [D2]
to FUNCTION (2)_W301A

Page 114 [L4]
to FUNCTION (2)_W301B

Page 120 [C2]
to A-VIDEO_W2002

Page 124 [I2]
to FL (2)_CB971



REMARKS	PARTS NAME
NO MARK	CARBON FILM RESISTOR (P=5)
□	CARBON FILM RESISTOR (P=10)
△	METAL OXIDE FILM RESISTOR
▲	METAL FILM RESISTOR
⊠	METAL PLATE RESISTOR
⊞	FIRE PROOF CARBON FILM RESISTOR
□	CEMENT MOLDED RESISTOR
⊞	SEMI VARIABLE RESISTOR
■	CHIP RESISTOR

REMARKS	PARTS NAME
NO MARK	ELECTROLYTIC CAPACITOR
⊗	TANTALUM CAPACITOR
NO MARK	CERAMIC CAPACITOR
●	CERAMIC TUBULAR CAPACITOR
⊙	POLYESTER FILM CAPACITOR
○	POLYSTYRENE FILM CAPACITOR
⊖	MICA CAPACITOR
⊕	POLYPROPYLENE FILM CAPACITOR
⊗	SEMICONDUCTIVE CERAMIC CAPACITOR

IMPLEMENTATION:
INPUT SELECTOR
VOLUME
VIDEO-AUX
HEAD PHONE AMP
MIC AMP
PROGRAM SELECTOR
MASTER SWITCH
USB CONNECTOR

Interchangeable Parts at Manufacture-Stage

Mark	Reference Parts Number	Parts Name
k1	08002-8003	2SD19381F1 2SC33261A/B1 2SC5938A1A/B1 2SD2704K
k2	D8004-8008, 8010	1SS3355 MA111 KDS160-RTK/P

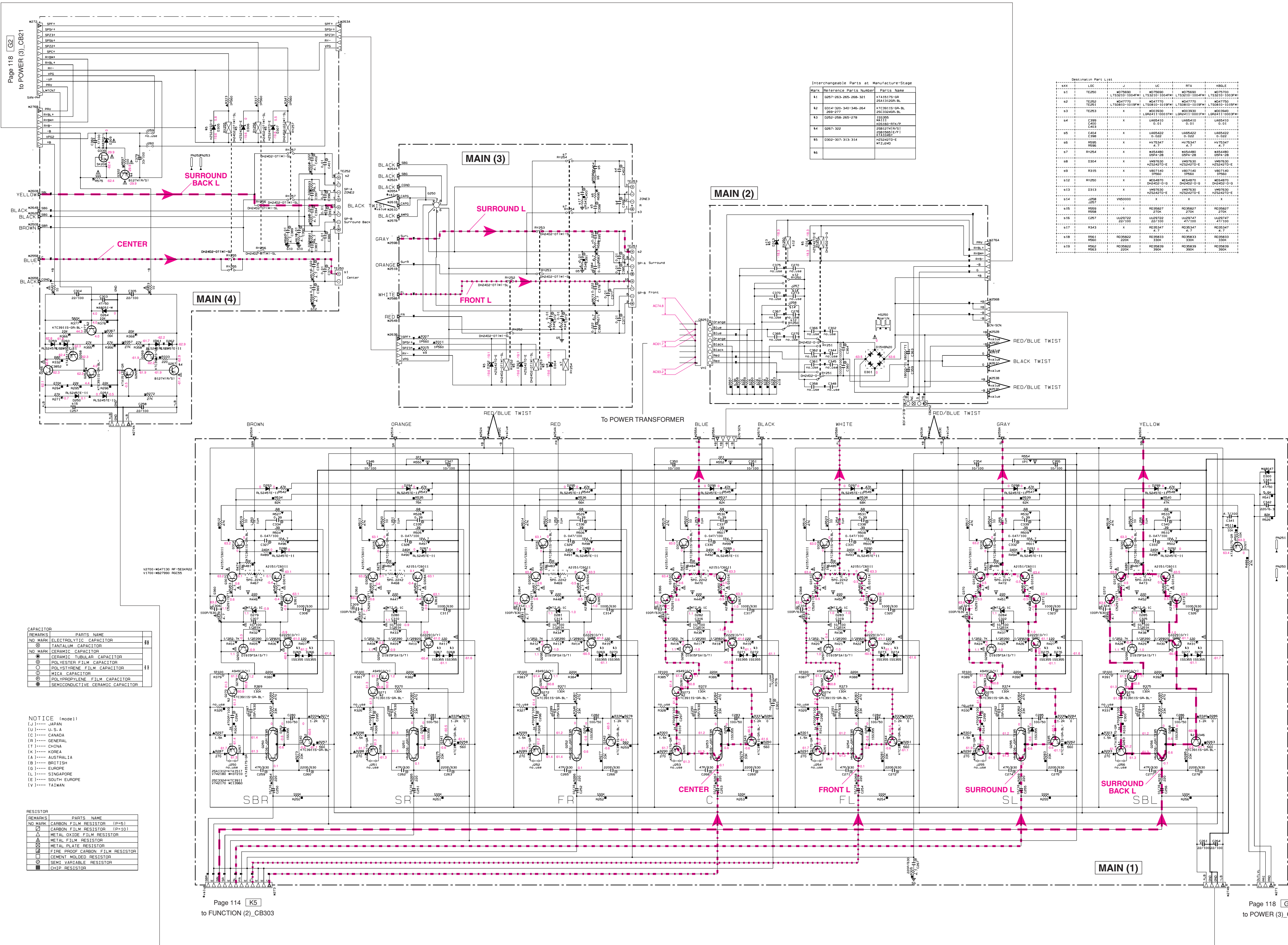
NOTICE (model)

- (J)..... JAPAN
- (U)..... U.S.A
- (C)..... CANADA
- (R)..... GENERAL
- (T)..... CHINA
- (K)..... KOREA
- (A)..... AUSTRALIA
- (B)..... BRITISH
- (G)..... EUROPE
- (L)..... SINGAPORE
- (E)..... SOUTH EUROPE
- (V)..... TAIWAN

Destination Part List			
1	SNK	LOC	JUC
s1		CB039	US13510
s2		J8008	X

★ All voltages are measured with a 10MΩ/V DC electronic voltmeter.
★ Components having special characteristics are marked with a triangle, and must be replaced with parts having specifications equal to those originally installed.
★ Schematic diagram is subject to change without notice.
● 電圧は、内部抵抗10MΩの電圧計で測定したものです。
● 三角形のある部品は、安全性確保部品を示しています。部品の交換が必要な場合、パーツリストに記載されている部品を使用してください。
● 本回路図は標準回路図です。改良のため予告なく変更することがございます。

MAIN



CAPACITOR

REMARKS	PARTS NAME
NO MARK	ELECTROLYTIC CAPACITOR
⊖	TANTALUM CAPACITOR
⊖	CERAMIC CAPACITOR
⊖	CERAMIC TUBULAR CAPACITOR
⊖	DIELECTRIC FILM CAPACITOR
⊖	POLYESTER FILM CAPACITOR
⊖	MICA CAPACITOR
⊖	POLYPROPYLENE FILM CAPACITOR
⊖	RESISTOR

NOTICE (page 1)

(J)..... JAPAN
 (U)..... U.S.A
 (C)..... CANADA
 (B)..... GENERAL
 (T)..... CHINA
 (K)..... KOREA
 (A)..... AUSTRALIA
 (E)..... BRITISH
 (G)..... EUROPE
 (L)..... SINGAPORE
 (S)..... SOUTH EUROPE
 (I)..... TAIWAN

RESISTOR

REMARKS	PARTS NAME
NO MARK	CARBON FILM RESISTOR (1/4W)
⊖	CARBON FILM RESISTOR (1/10W)
⊖	METAL OXIDE FILM RESISTOR
⊖	METAL FILM RESISTOR
⊖	METAL CLATE RESISTOR
⊖	FINE POWER CARBON FILM RESISTOR
⊖	CEMENT HOLED RESISTOR
⊖	SEMI-VARIABLE RESISTOR
⊖	DRIP RESISTOR

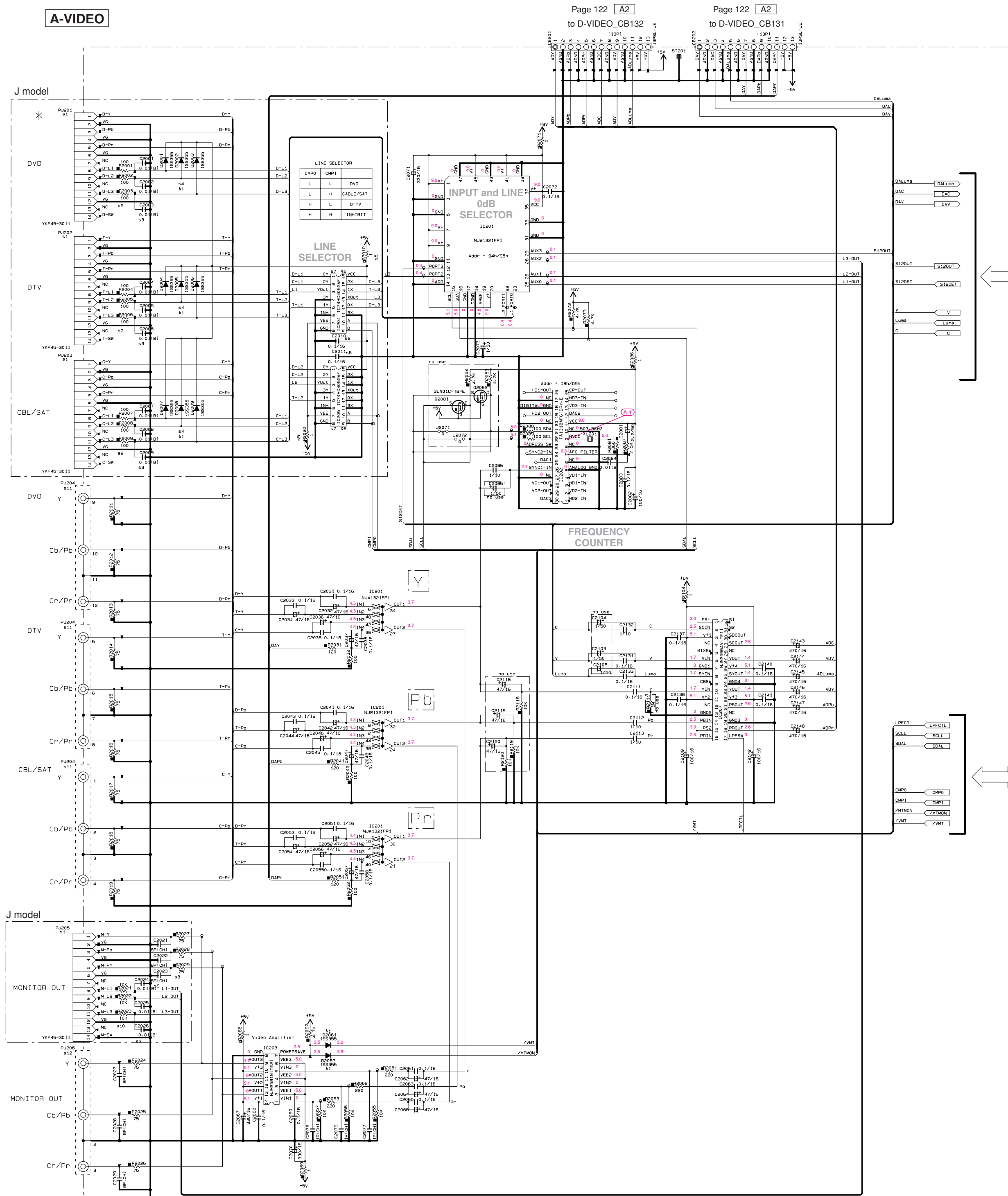
Page 114 [K5]
 to FUNCTION (2)_CB303

Page 118 [G8]
 to POWER (3)_CB19

★ All voltages are measured with a 10MΩ/V DC electronic voltmeter.
 ★ Components having special characteristics are marked ⊖ and must be replaced with parts having specifications equal to those originally installed.
 ★ Schematic diagram is subject to change without notice.
 ● 電圧は、内部抵抗10MΩの電圧計で測定したものです。
 ● ⊖印のある部品は、安全性確保部品を示しています。部品の交換が必要な場合、パーツリストに記載されている部品を使用してください。
 ● 本回路図は標準回路図です。改良のため予告なく変更することがございます。

A-VIDEO 1/2

A-VIDEO



Page 122 [A2] to D-VIDEO_CB132
 Page 122 [A2] to D-VIDEO_CB131

RESISTOR

REMARKS	PARTS NAME
NO MARK	CARBON FILM RESISTOR (D-9)
□	CARBON FILM RESISTOR (D-10)
△	METAL OXIDE FILM RESISTOR
◇	METAL FILM RESISTOR
○	METAL PLATE RESISTOR
◎	FINE PROOF CARBON FILM RESISTOR
①	CHEMIST MOLDING RESISTOR
②	SEMI VARIABLE RESISTOR
■	CHIP RESISTOR

NOTICE (model)

(J)..... JAPAN
 (U)..... U.S.A.
 (C)..... CANADA
 (R)..... GENERAL
 (T)..... CHINA
 (K)..... KOREA
 (A)..... AUSTRALIA
 (B)..... BRITISH
 (E)..... EUROPE
 (L)..... SINGAPORE
 (S)..... SOUTH EUROPE
 (V)..... TAIWAN

CAPACITOR

REMARKS	PARTS NAME
NO MARK	ELECTROLYTIC CAPACITOR
⊗	TANTALUM CAPACITOR
NO MARK	CERAMIC CAPACITOR
⊙	CERAMIC TUBULAR CAPACITOR
⊖	POLYESTER FILM CAPACITOR
⊕	POLYSTYRENE FILM CAPACITOR
⊗	POLYPROPYLENE FILM CAPACITOR
⊖	SEMICONDUCTIVE CERAMIC CAPACITOR
⊕	POLYPROPYLENE SULFIDE FILM CAPACITOR

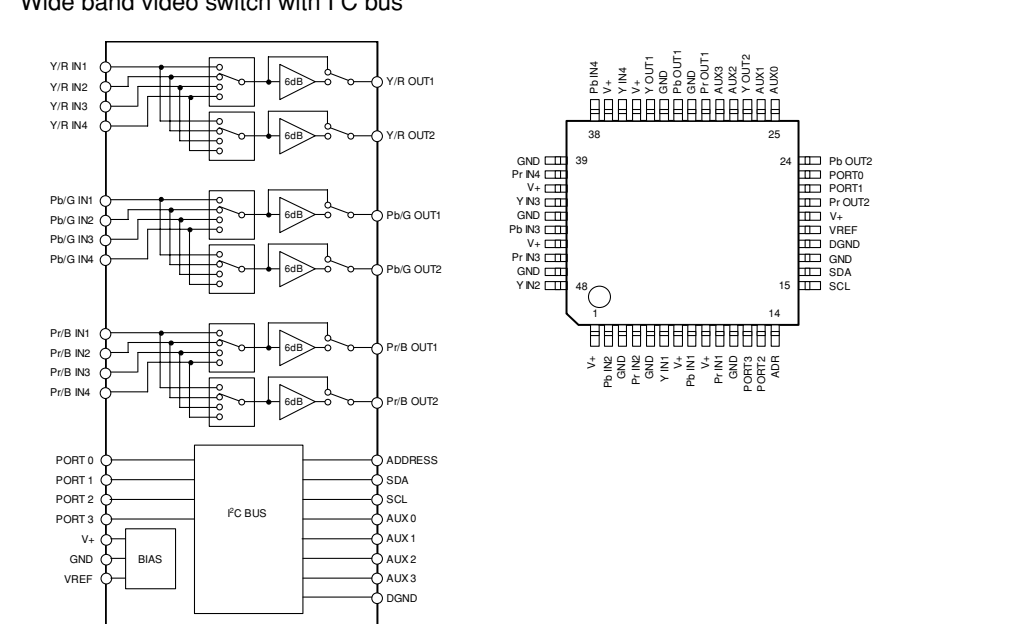
Component Part List

REF	LOC	QTY	U-C	PK	T-1, B-5, L-1E
S1	R101	1	NO3940		
S2	R102	1	NO3940		
S3	R103	1	NO3940		
S4	R104	1	US06410		
S5	R105	1	VT3300		
S6	R106	1	NO3940		
S7	R107	1	NO3940		
S8	R108	1	NO3940		
S9	R109	1	US06410		
S10	R110	1	NO3940		
S11	R111	1	NO3940		
S12	R112	1	NO3940		

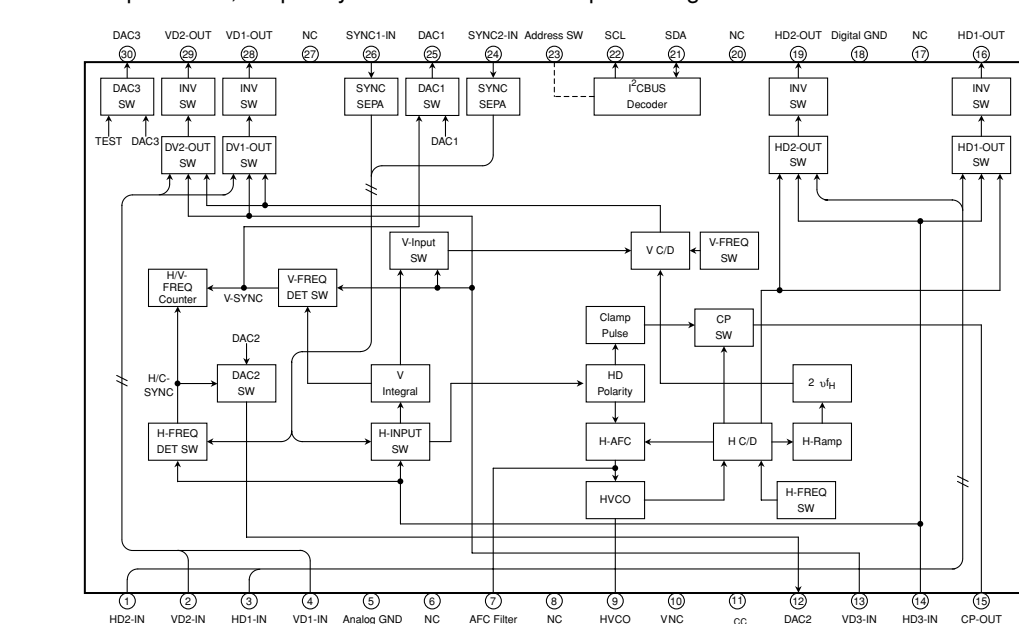
Interchangeable Parts at Manufacture-Stage

MARK	Reference Parts Number	Parts Name
41	0201-0208-0209-0210-0211-0212-0213-0214-0215-0216-0217-0218-0219-0220-0221-0222-0223-0224-0225-0226-0227-0228-0229-0230-0231-0232-0233-0234-0235-0236-0237-0238-0239-0240-0241-0242-0243-0244-0245-0246-0247-0248-0249-0250-0251-0252-0253-0254-0255-0256-0257-0258-0259-0260-0261-0262-0263-0264-0265-0266	158390 M6111
42	02541-02646	DTC1462A M52549-014/P
43	IC200	Ts18420M/L M50504M2
44	IC201-014	W74HC4051SLK TC74HC4051AF (EL-F)
45	IC204-205	W74HC4051SLK TC74HC4052AF (EL-F)
46	IC217-001	W74HC4053SLK TC74HC4053AF (EL-F)

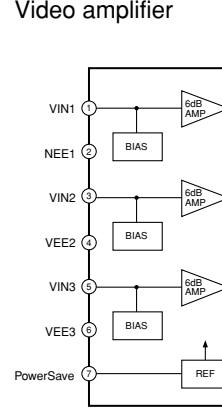
IC201: NJW1321FP1



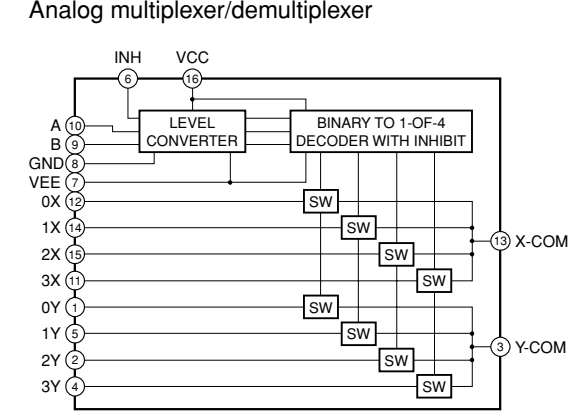
IC202: TA1318AF



IC203: NJM2581M



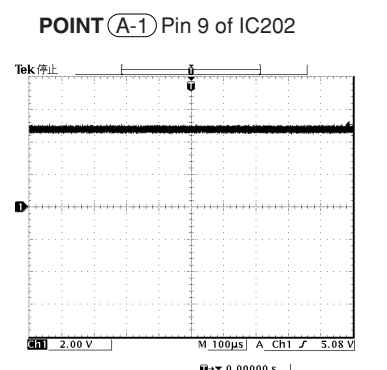
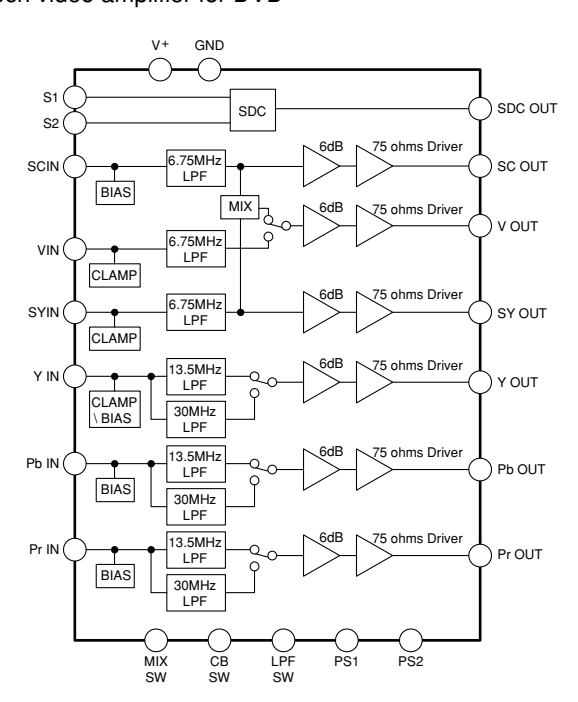
IC204, 205: TC74HC4052AF



INHIBIT B A

0	0	0	0x, 0y
0	0	1	1x, 1y
0	1	0	2x, 2y
0	1	1	3x, 3y
1	X	X	INHIBIT

IC207: NJM2566AV



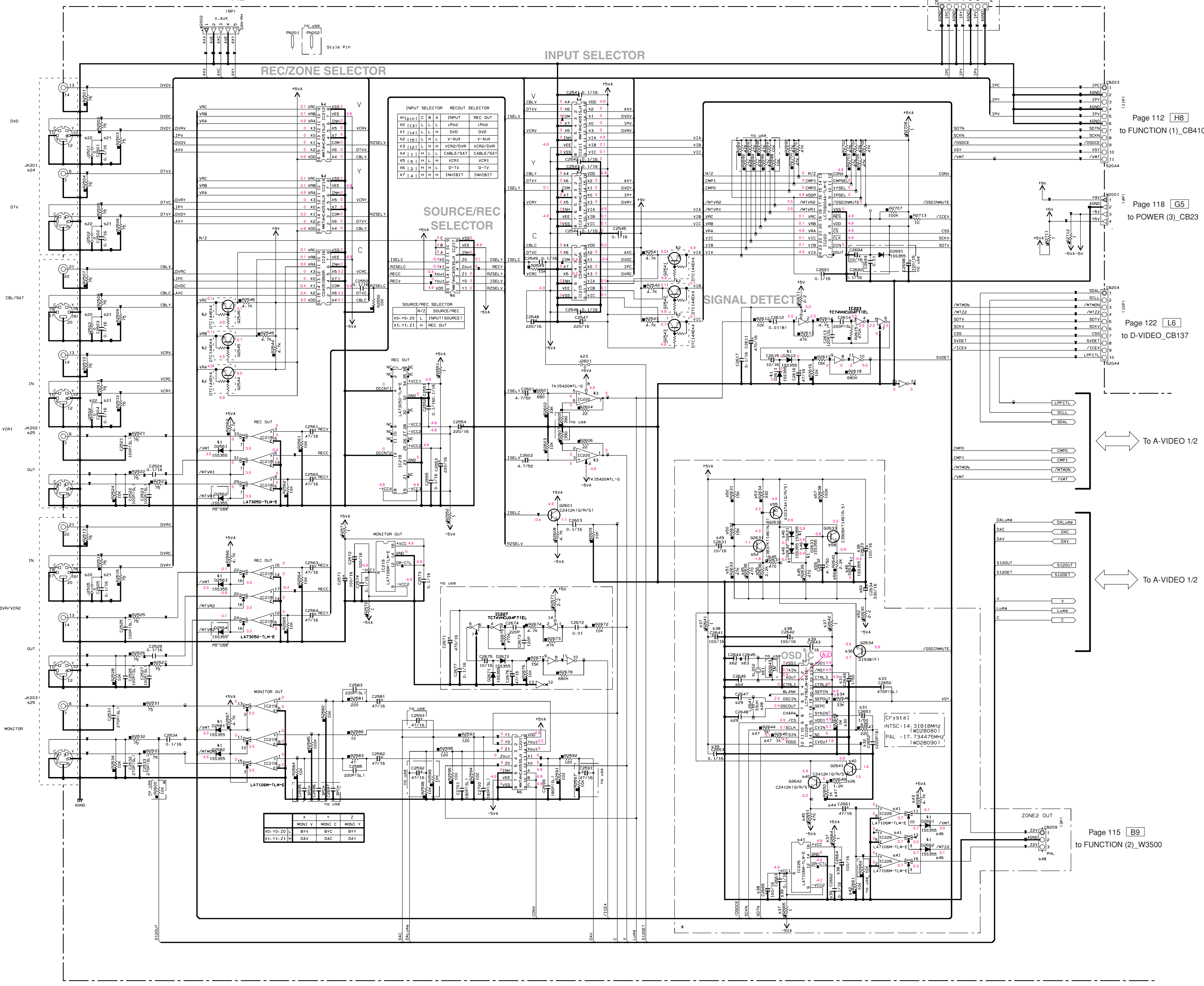
★ All voltages are measured with a 10MΩ/V DC electronic voltmeter.
 ★ Components having special characteristics are marked ! and must be replaced with parts having specifications equal to those originally installed.
 ★ Schematic diagram is subject to change without notice.

● 電圧は、内部抵抗10MΩの電圧計で測定したものです。
 ● !印のある部品は、安全性確保部品を示しています。部品の交換が必要な場合、パーツリストに記載されている部品を使用してください。
 ● 本回路図は標準回路図です。改良のため予告なく変更することがございます。

A-VIDEO 2/2

A-VIDEO

Page 116 [E4] to OPERATION (3)_CB807



NOTICE (mode1)

- (J) JAPAN
(U) U.S.A
(C) CANADA
(R) GENERAL
(T) CHINA
(K) KOREA
(A) AUSTRALIA
(B) BRITISH
(G) EUROPE
(L) SINGAPORE
(E) SOUTH EUROPE
(V) TAIWAN

Table with 2 columns: RESISTOR PARTS NAME, PARTS NAME. Lists various resistor types like CARBON FILM RESISTOR, METAL FILM RESISTOR, etc.

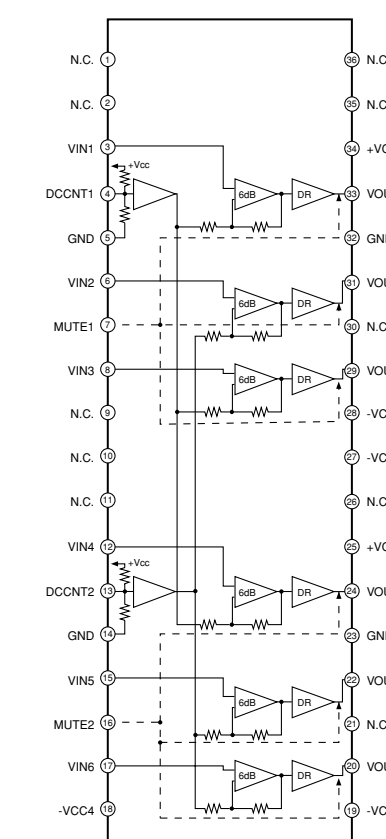
CAPACITOR

Table with 2 columns: CAPACITOR PARTS NAME, PARTS NAME. Lists various capacitor types like ELECTROLYTIC CAPACITOR, TANTALUM CAPACITOR, etc.

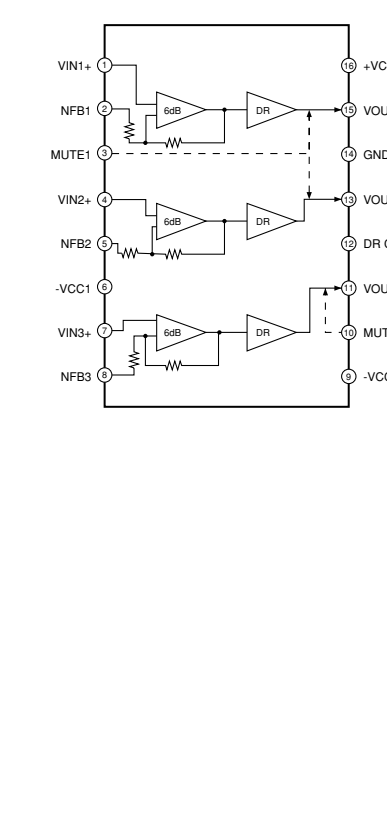
Destination Part List

Large table listing various components (resistors, capacitors, ICs) with their part numbers and designations.

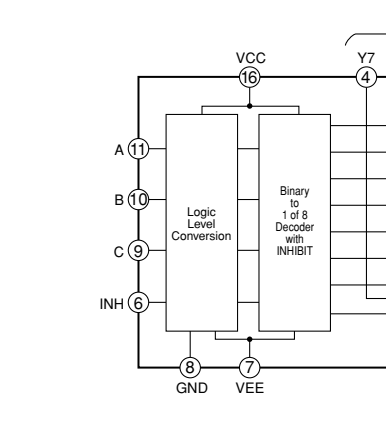
IC218: LA73050-TLM-E Analog dual operational amplifier



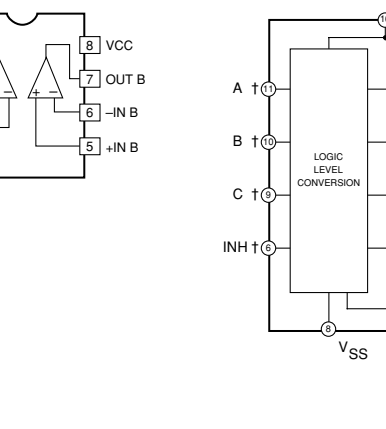
IC219, 226: LA7106M-TLM-E Analog dual operational amplifier



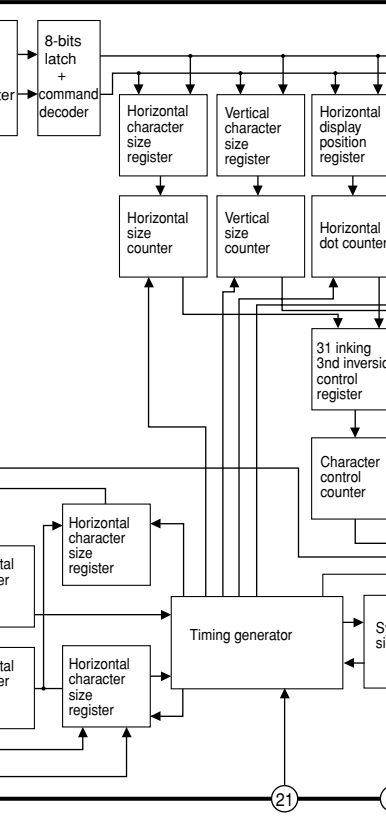
IC211-214: MM74HC4051SJX 8-channel analog multiplexer



IC215, 216: CD4051BNSR Single 8-channel multiplexer



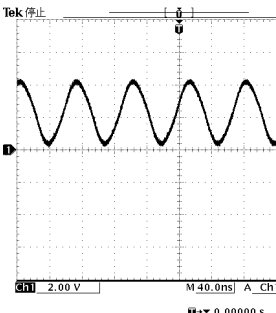
IC224: LC74782JM-8A16-TLM The on-serial display controller LSI



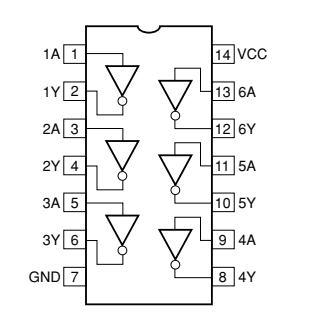
* All voltages are measured with a 10MΩ/V DC electronic voltmeter.
* Components having special characteristics are marked with a triangle and must be replaced with parts having specifications equal to those originally installed.
* Schematic diagram is subject to change without notice.

●電圧は、内部抵抗10MΩの電圧計で測定したものです。
●△印のある部品は、安全性確保部品を示しています。部品の交換が必要な場合、パーツリストに記載されている部品を使用してください。
●本回路図は標準回路図です。改良のため予告なく変更することがございます。

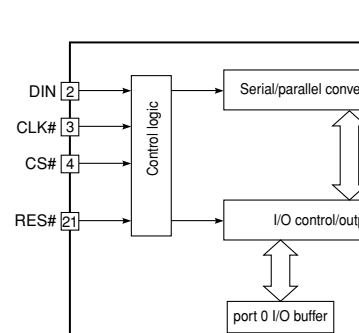
POINT (A-2) Pin 3 of IC224



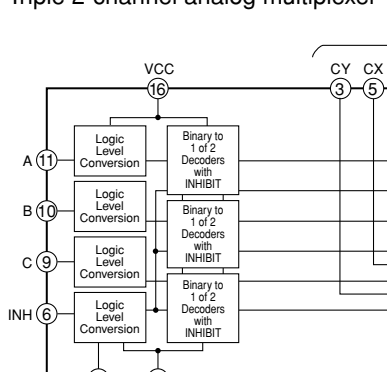
IC223: TC74VHC04FT Hex inverters



IC222: LC709004A-TLM-E I/O-expander for microcontroller

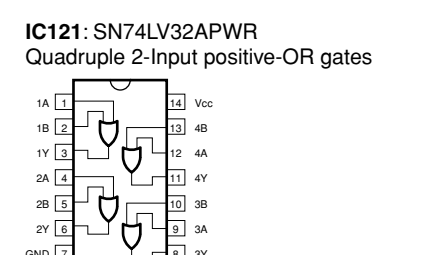
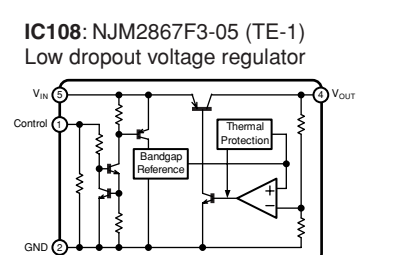
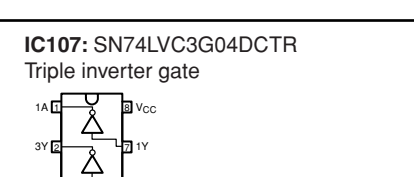
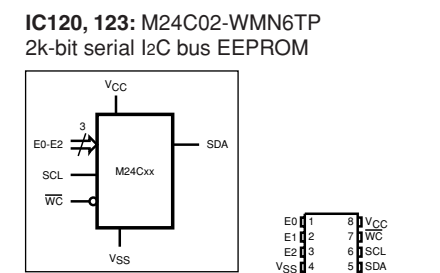
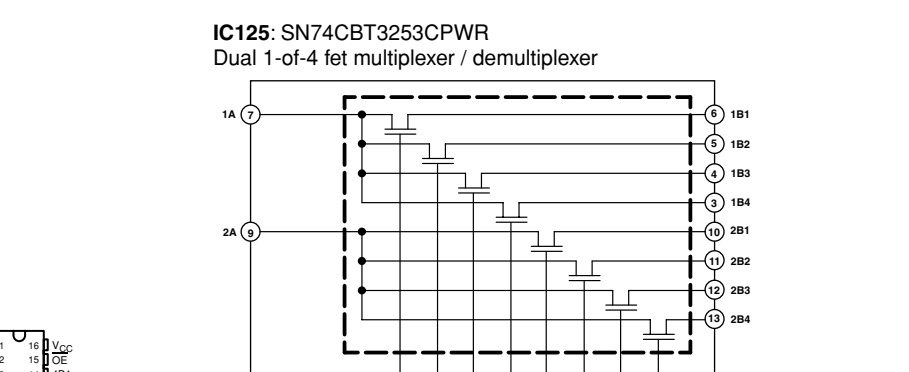
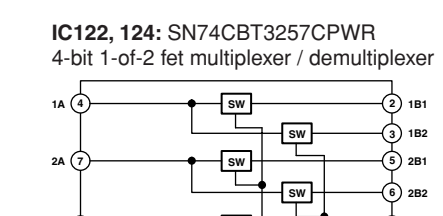
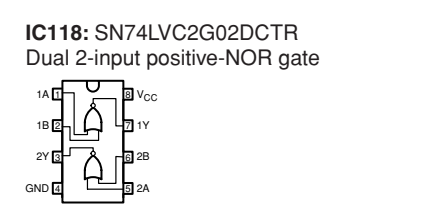
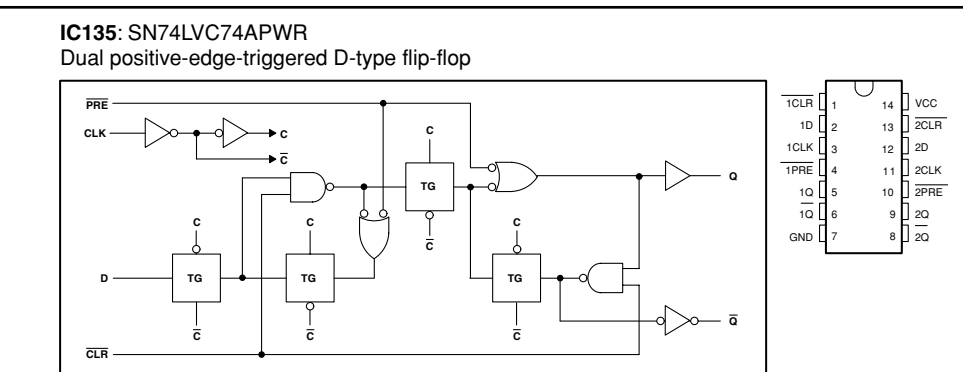
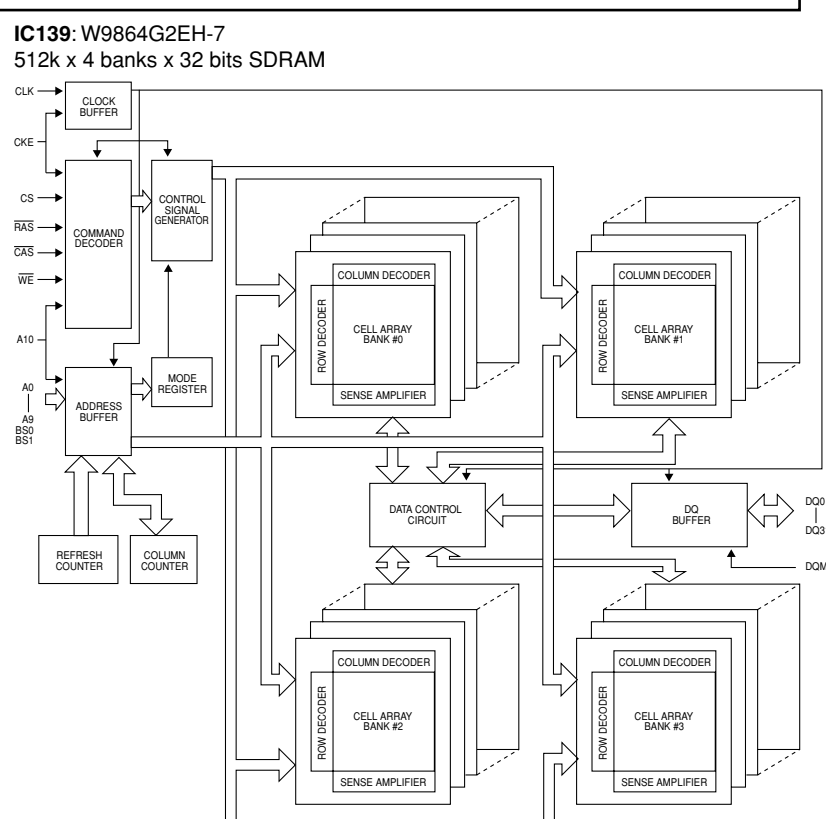
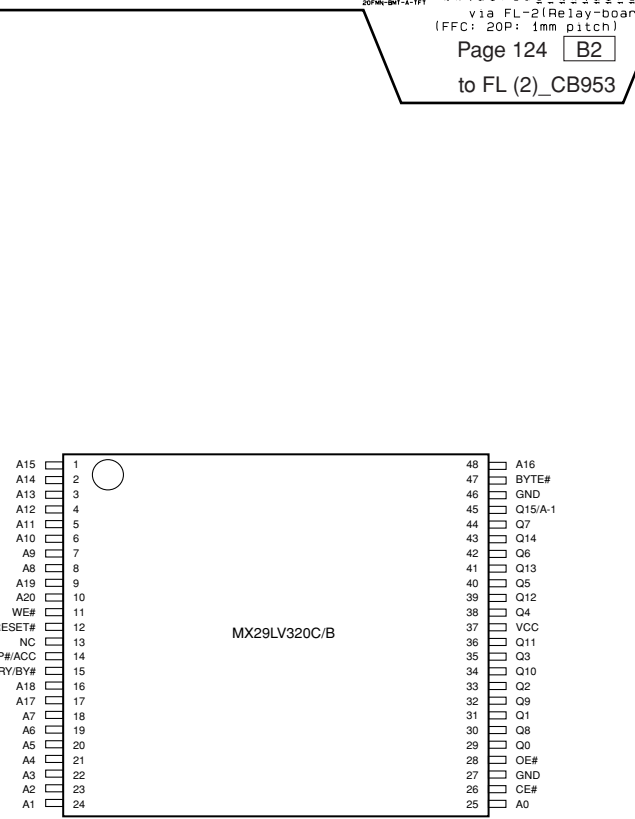
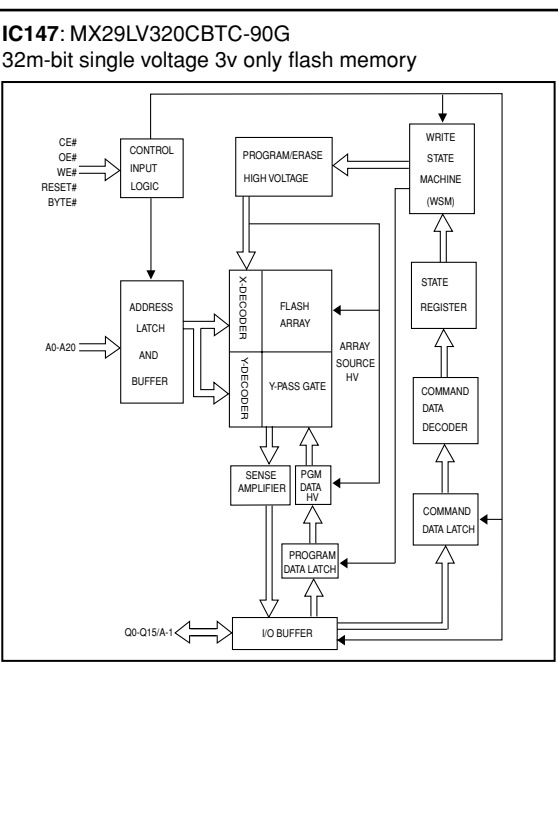
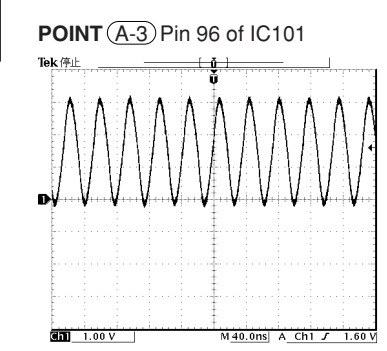
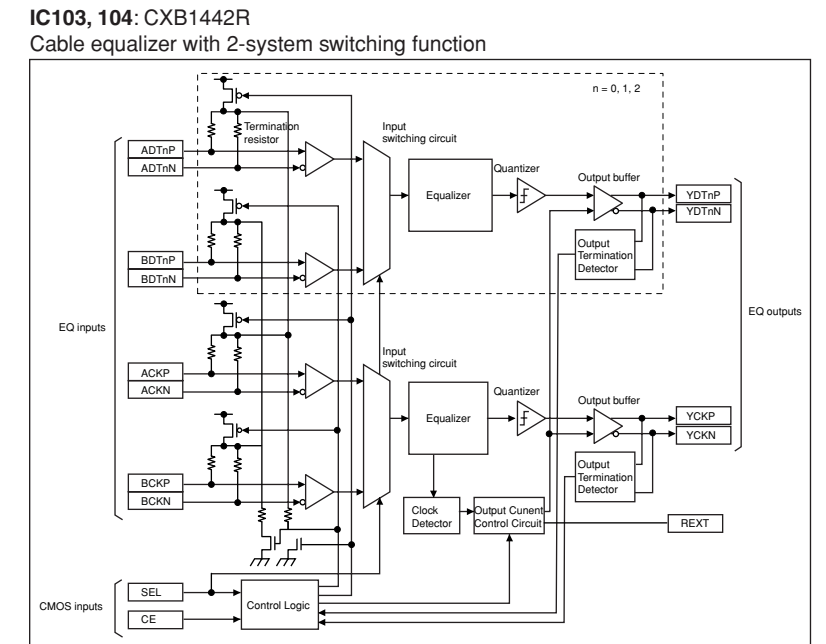
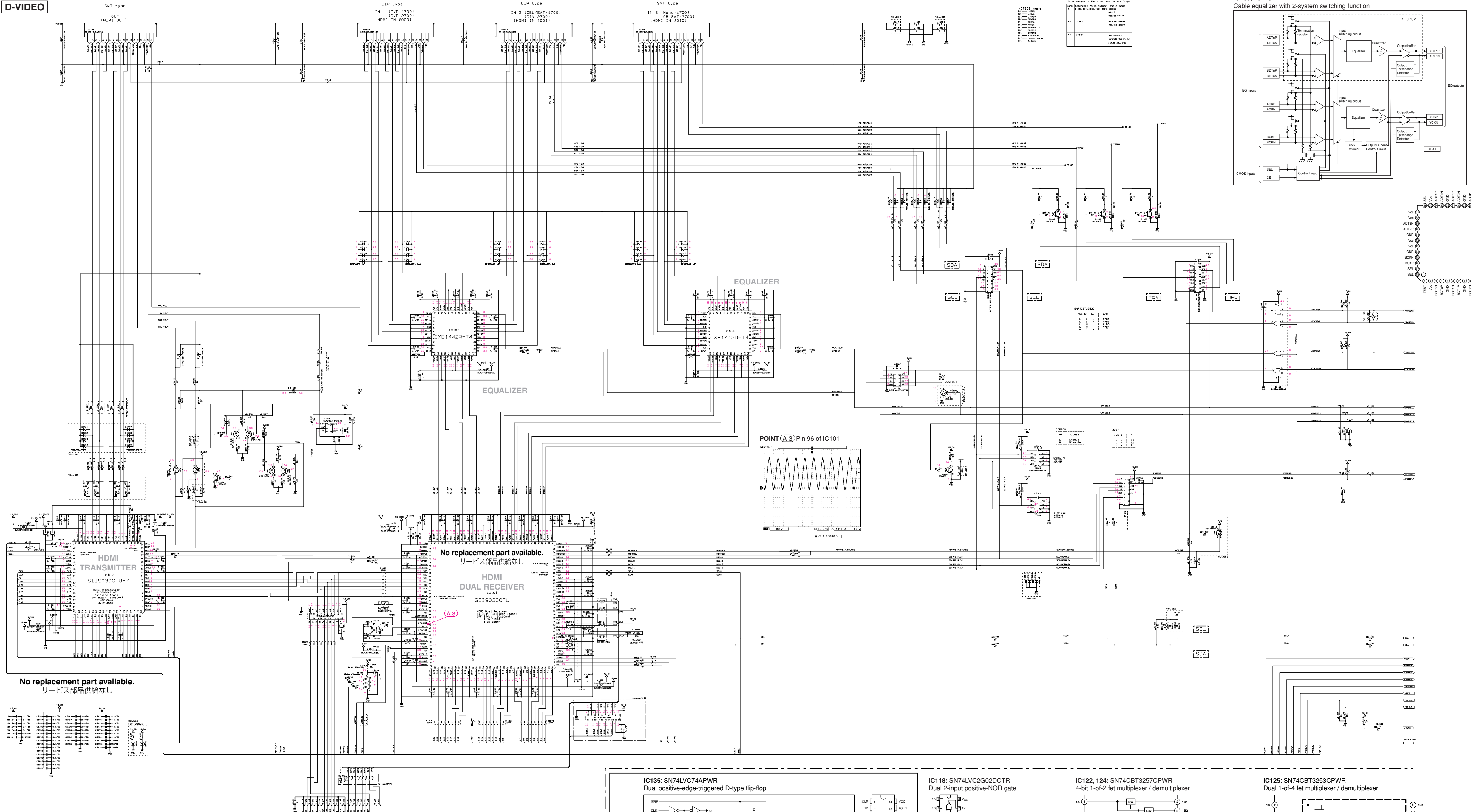


IC217, 221: MM74HC4053SJX Triple 2-channel analog multiplexer



- VSS1 [1]
XstAOUT [3]
CTRL3 [4]
CTAL1 [4]
SEPN [5]
OSCIN [6]
OSCOUT [7]
CHARA [8]
CS [9]
SLCK [10]
SIN [11]
VDD2 [12]
VDD1 [24]
RST [23]
CTRL2 [22]
CTRL1 [21]
SEPC [18]
SYNEN [17]
VDD1 [16]
CV/N [15]
NC [14]
CVOUT [13]

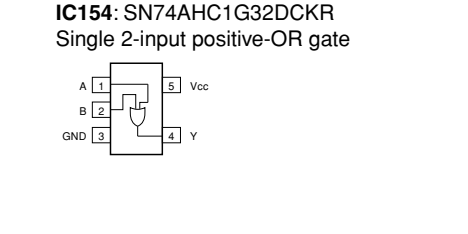
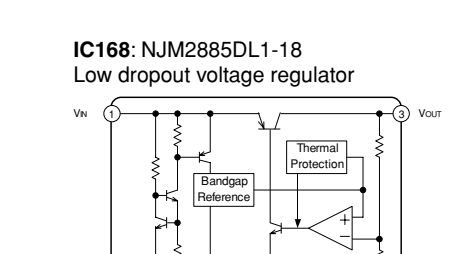
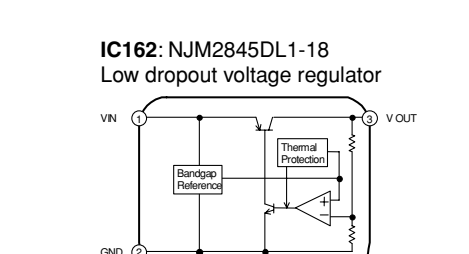
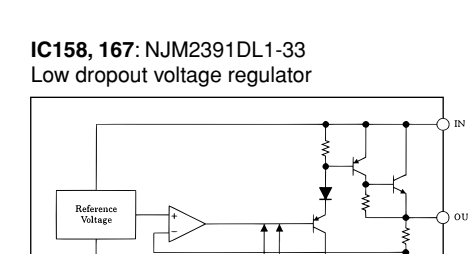
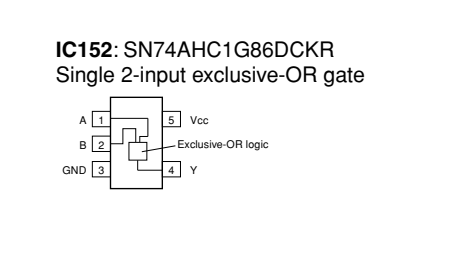
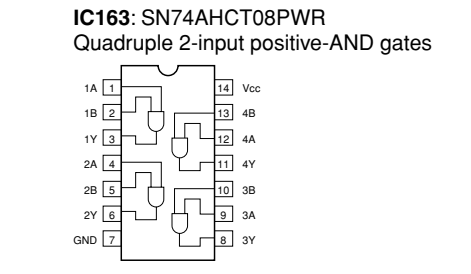
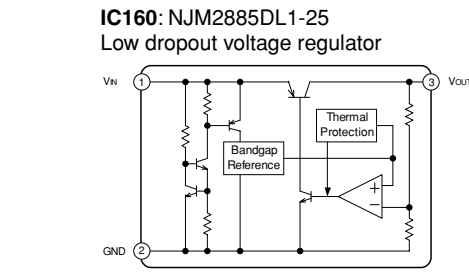
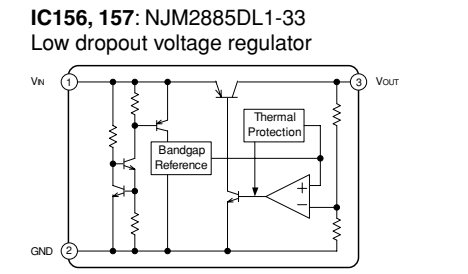
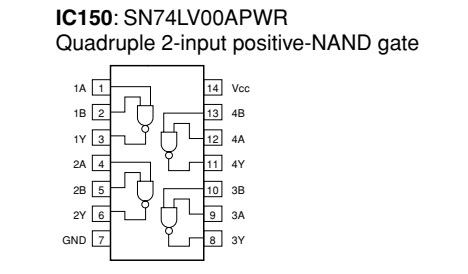
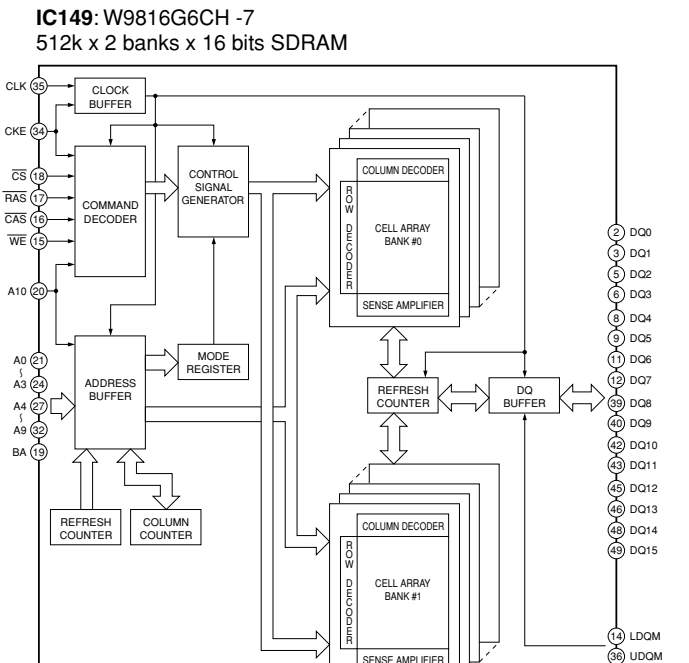
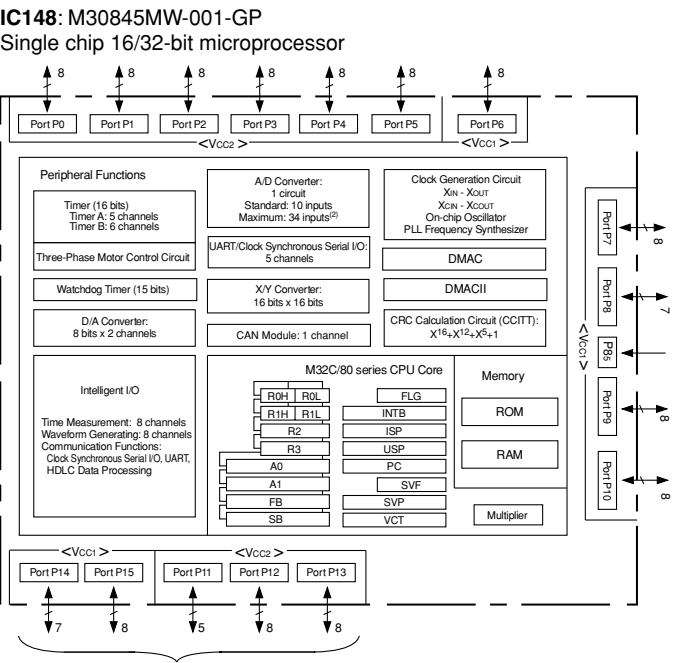
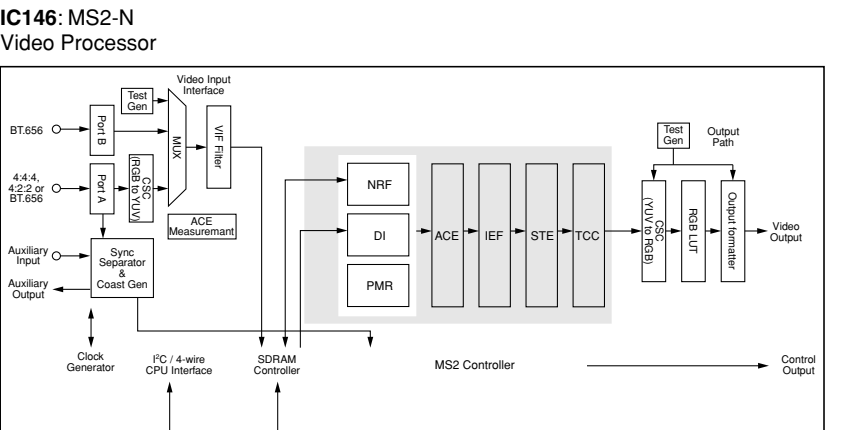
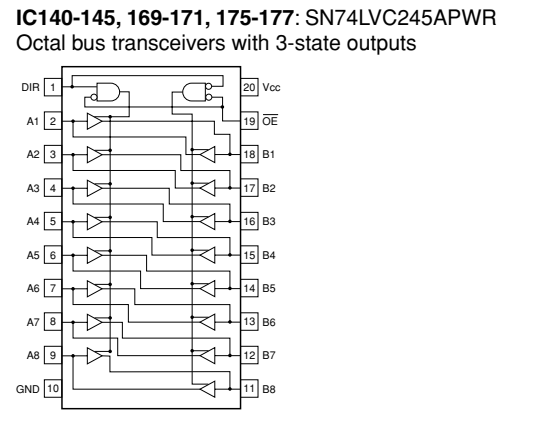
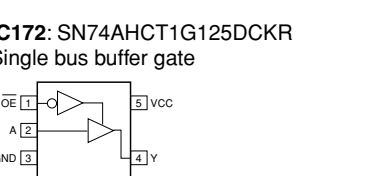
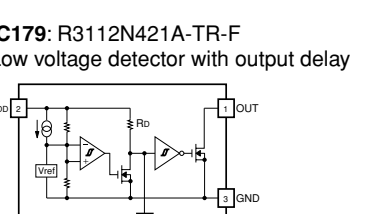
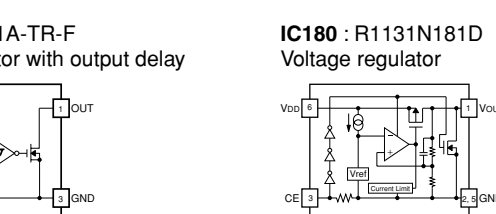
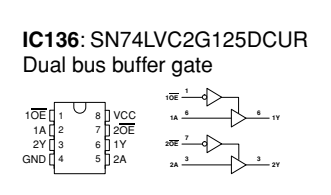
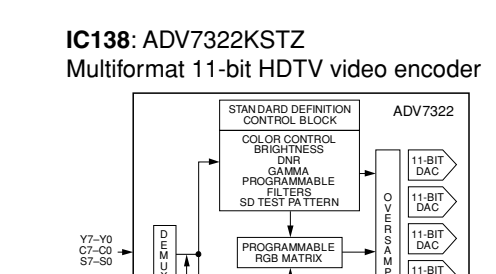
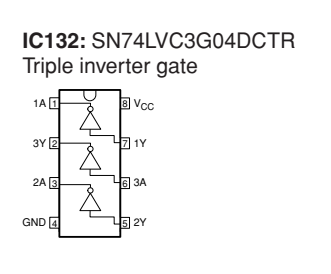
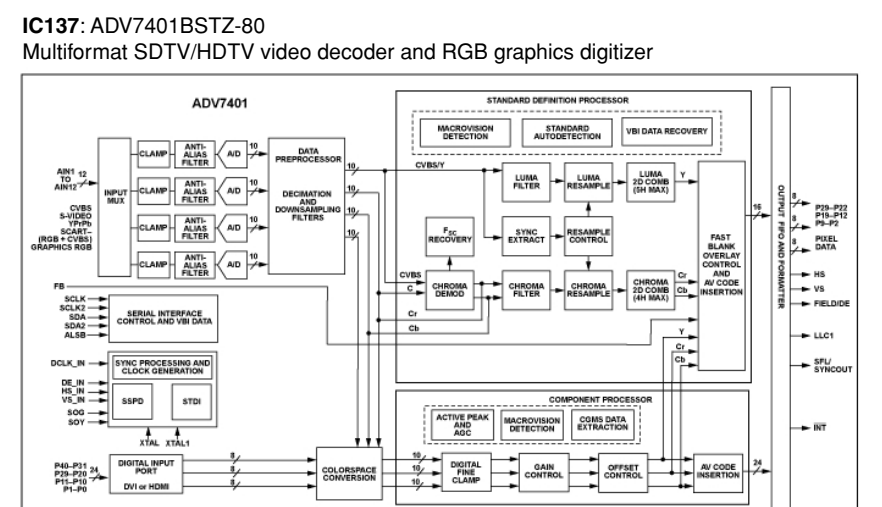
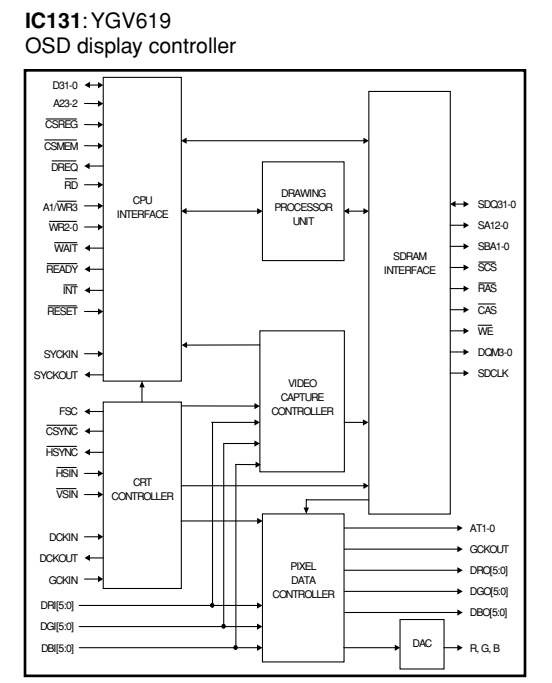
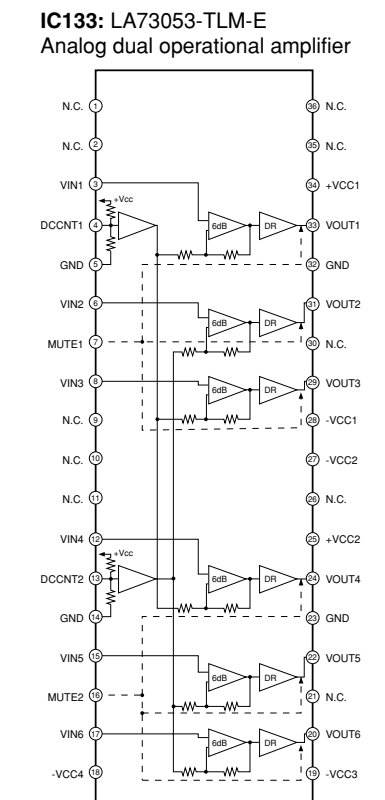
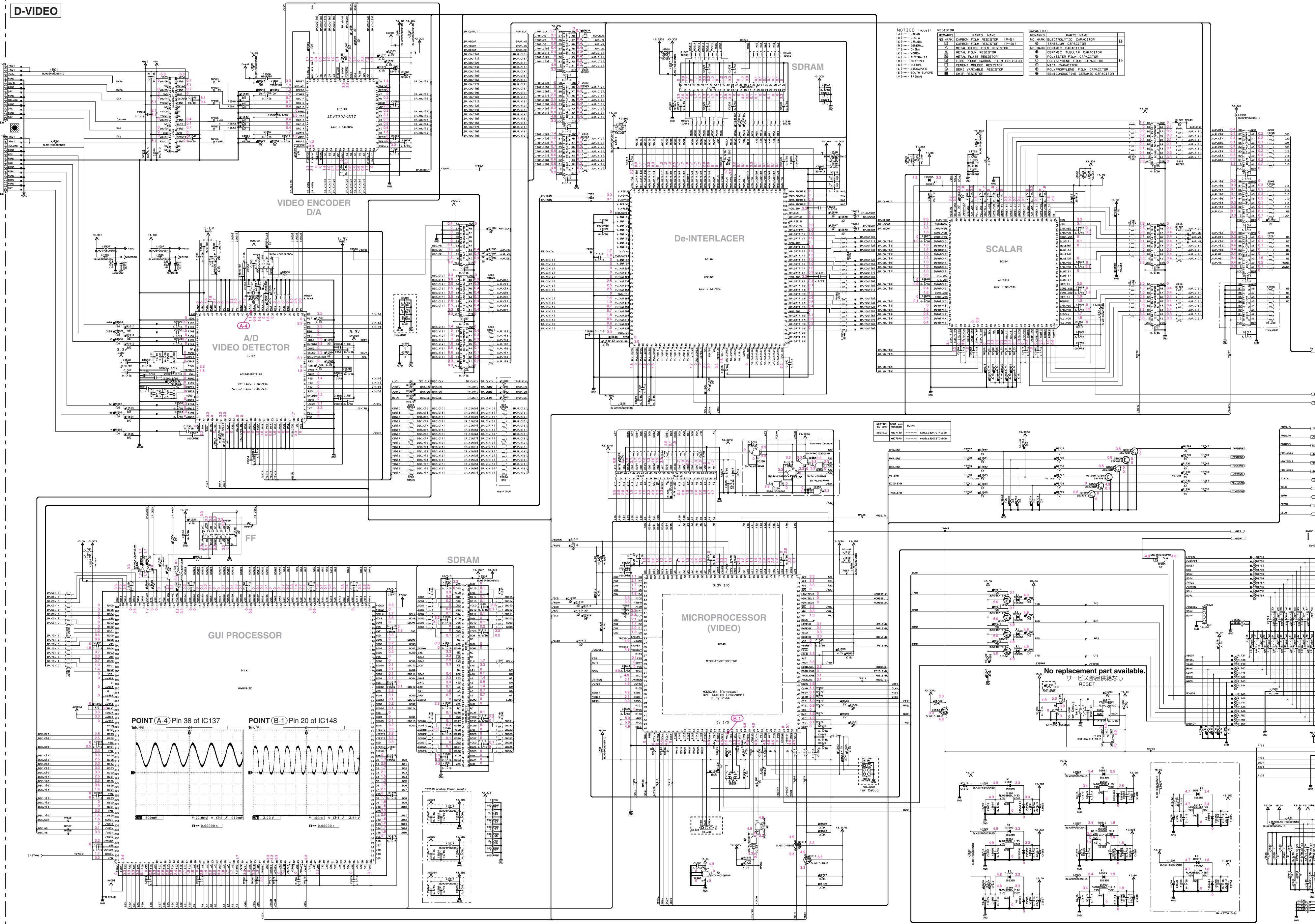
D-VIDEO 1/2



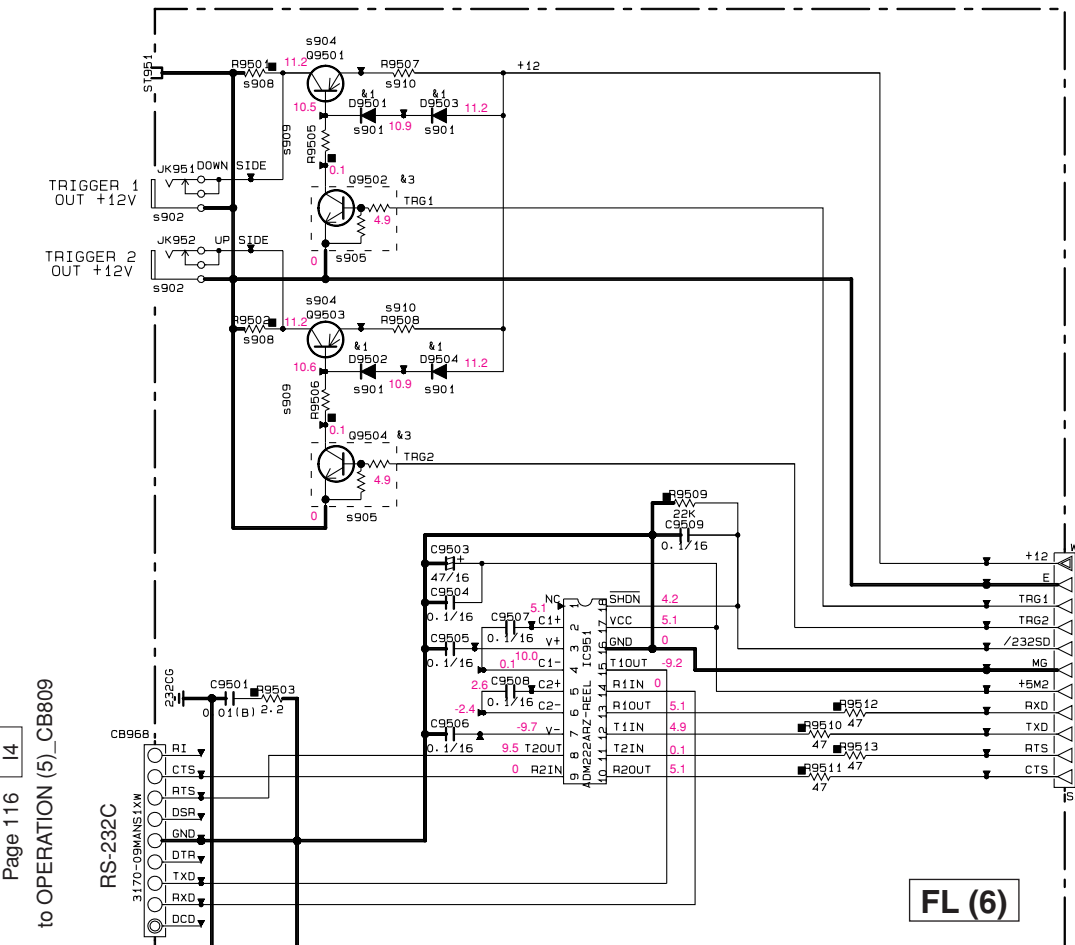
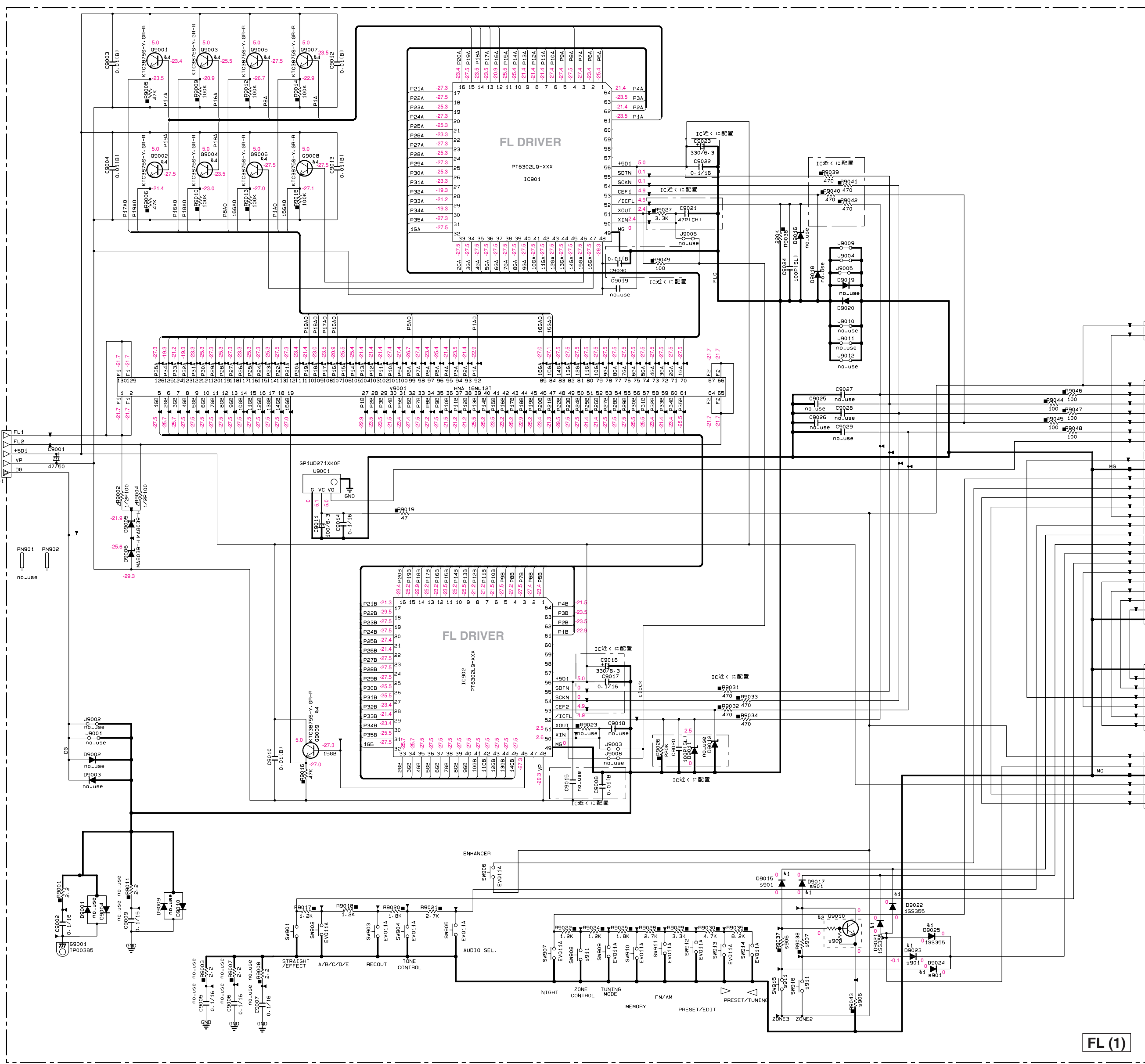
* All voltages are measured with a 10MΩV DC electronic voltmeter.
 * Components having special characteristics are marked with a star and must be replaced with parts having specifications equal to those originally installed.
 * Schematic diagram is subject to change without notice.

●電圧は、内部抵抗10MΩの電圧計で測定したものです。
 ●1印のある部品は、安全性確保部品を示しています。部品の交換が必要な場合、パーツリストに記載されている部品を使用してください。
 ●本回路図は標準回路図です。改良のため予告なく変更することがございます。

D-VIDEO 2/2



★ All voltages are measured with a 10M Ω /V DC electronic voltmeter.
 ★ Components having special characteristics are marked Δ and must be replaced with parts having specifications equal to those originally installed.
 ● Schematic diagram is subject to change without notice.
 ● 電圧は、内部抵抗10M Ω の電圧計で測定したものです。
 ● Δ 印のある部品は、安全性確保部品を示しています。部品の交換が必要な場合、パーツリストに記載されている部品を使用してください。
 ● 本回路図は標準回路図です。改良のため予告なく変更することがございます。

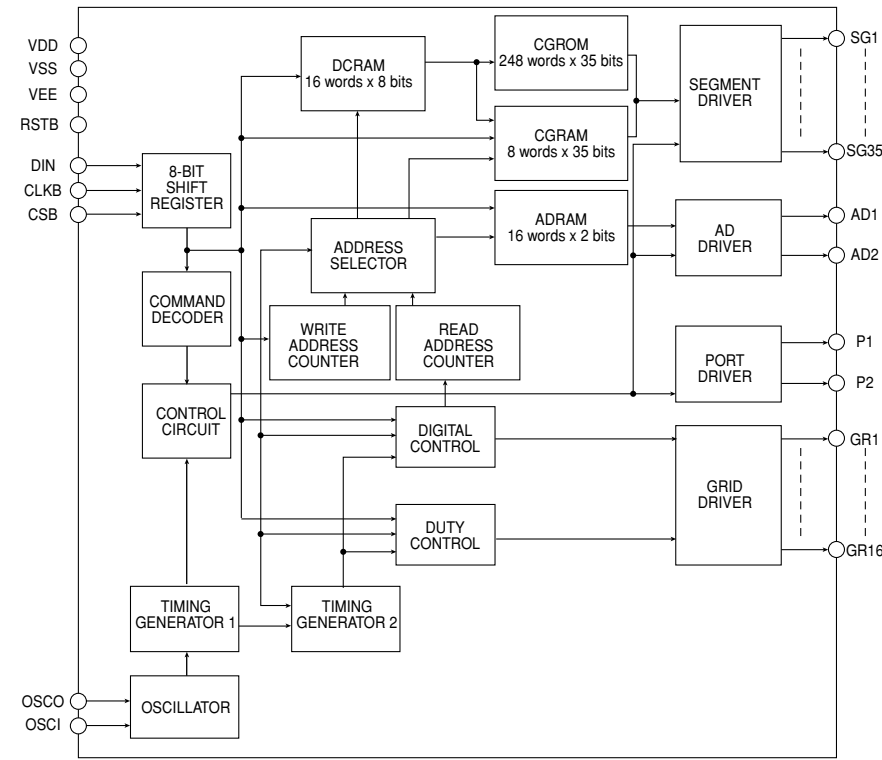


Page 112 [C8]
to FUNCTION (1)_CB405

Destination Part List

xxx	LOC	J	U.C.R.T.K.A.B.O.L.E.T
s901	IC901	X	V13390 V13399
s902	IC902	X	MS-305-12APC D1115E4
s903	IC903	X	MS-305-12APC D1115E4
s904	IC904	X	MS-305-12APC D1115E4
s905	IC905	X	MS-305-12APC D1115E4
s906	IC906	X	MS-305-12APC D1115E4
s907	IC907	X	MS-305-12APC D1115E4
s908	IC908	X	MS-305-12APC D1115E4
s909	IC909	X	MS-305-12APC D1115E4
s910	IC910	X	MS-305-12APC D1115E4
s911	IC911	X	MS-305-12APC D1115E4

IC901, 902: PT6302LQ
VFD driver/controller IC with character RAM



Interchangeable Parts at Manufacture Stage

Mark	Reference Parts Number	Parts Name
k1	19015-9017, 9021-9025, 9001-9004	153395 M411 ADM160-8TK/P
k2	99010	D1115E4 MS-305-12TK/P
k3	99002-99004	D1115E4 MS-305-12TK/P
k4	99001-99009	D1115E4 MS-305-12TK/P P5C241K1G/R/S1
k5		

NOTICE (model)
 (J)..... JAPAN
 (U)..... U.S.A
 (C)..... CANADA
 (R)..... GENERAL
 (T)..... CHINA
 (K)..... KOREA
 (A)..... AUSTRALIA
 (B)..... BRITISH
 (G)..... EUROPE
 (L)..... SINGAPORE
 (E)..... SOUTH EUROPE
 (V)..... TAIWAN

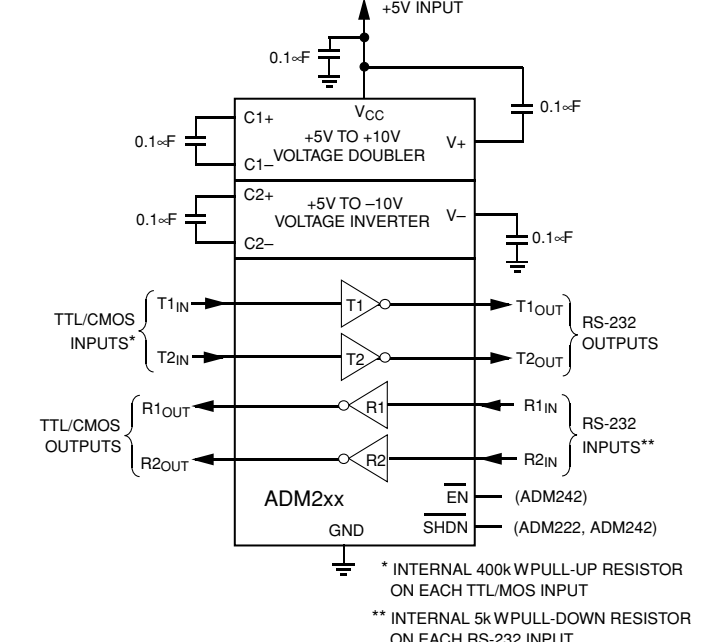
RESISTOR

REMARKS	PARTS NAME
NO MARK	CARBON FILM RESISTOR (P=5)
□	CARBON FILM RESISTOR (P=10)
△	METAL OXIDE FILM RESISTOR
▲	METAL FILM RESISTOR
⊠	METAL PLATE RESISTOR
⊞	FINE PROOF CARBON FILM RESISTOR
⊟	CEMENT MOLDED RESISTOR
⊠	SEMI VARIABLE RESISTOR
■	CHIP RESISTOR

CAPACITOR

REMARKS	PARTS NAME
○	TANTALUM CAPACITOR
⊙	ELECTROLYTIC CAPACITOR
NO MARK	CERAMIC CAPACITOR
●	CERAMIC TUBULAR CAPACITOR
⊖	POLYESTER FILM CAPACITOR
⊕	POLYSTYRENE FILM CAPACITOR
⊗	MICA CAPACITOR
⊘	POLYPROPYLENE FILM CAPACITOR
⊙	SEMICONDUCTIVE CERAMIC CAPACITOR
⊚	POLYPHENYLENE SULFIDE FILM CAPACITOR

IC951: ADM222ARZ
High speed RS-232 line drivers/receivers



RX-V2700 (U, C, R, T, K, A, B, G, E, L models)
Key input (A-D) pull-up resistance 10k-ohms

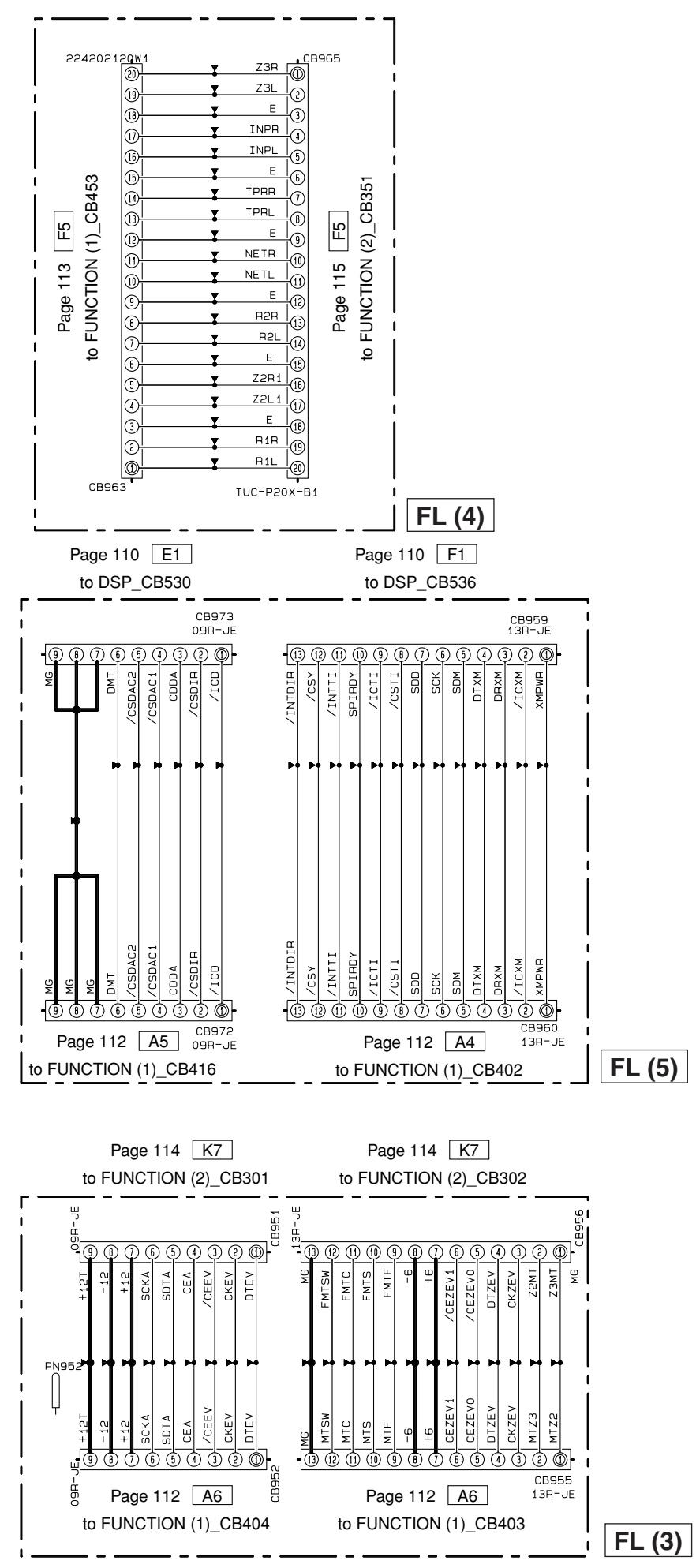
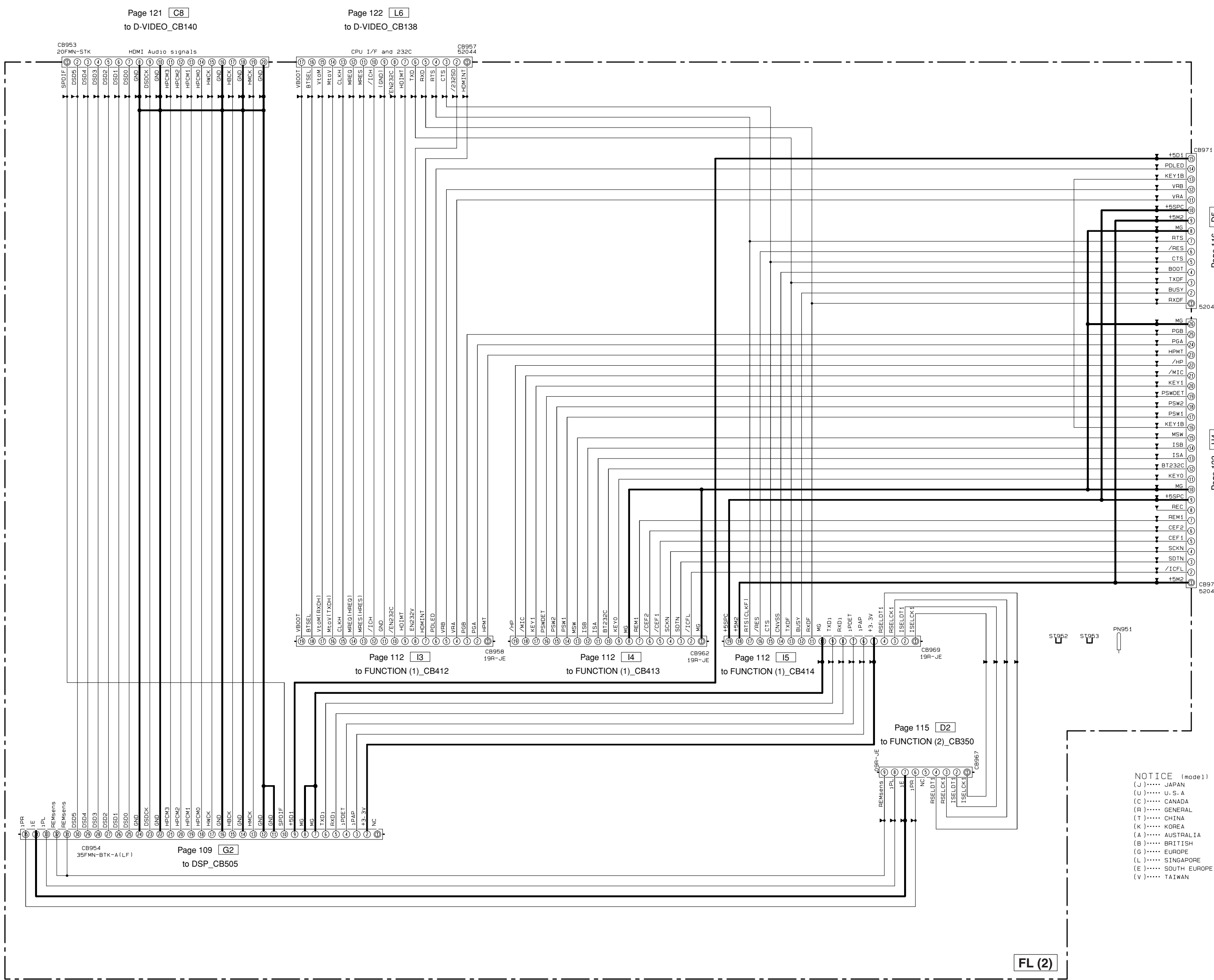
Ohm	0	+1.2k	+1.2k	+1.8k	+2.7k	+3.3k	+4.7k	+8.2k	+18.0k	+47.0k
Key0 (124pin/AN156)	NIGHT	ZONE CONTROLS	TUNING MODE	MEMORY	FM/AM	PRESET/TUNING	PRESET/TUNING	PRESET/TUNING	-	-
Key1 (123pin/AN157)	STRAIGHT/EFFECT	A/B/C/D/E	-	TONE CONTROL	AUDIO SELECT	PURE DIRECT	-	-	-	-

DSP-AX2700 (J model)
Key input (A-D) pull-up resistance 10k-ohms

Ohm	0	+1.2k	+1.2k	+1.8k	+2.7k	+3.3k	+4.7k	+8.2k	+18.0k	+47.0k
Key0 (124pin/AN156)	NIGHT	-	TUNING MODE	MEMORY	FM/AM	PRESET/TUNING	PRESET/TUNING	PRESET/TUNING	-	-
Key1 (123pin/AN157)	STRAIGHT/EFFECT	A/B/C/D/E	-	TONE CONTROL	AUDIO SELECT	PURE DIRECT	-	-	-	-

* All voltages are measured with a 10MΩ/V DC electronic voltmeter.
 * Components having special characteristics are marked ! and must be replaced with parts having specifications equal to those originally installed.
 * Schematic diagram is subject to change without notice.

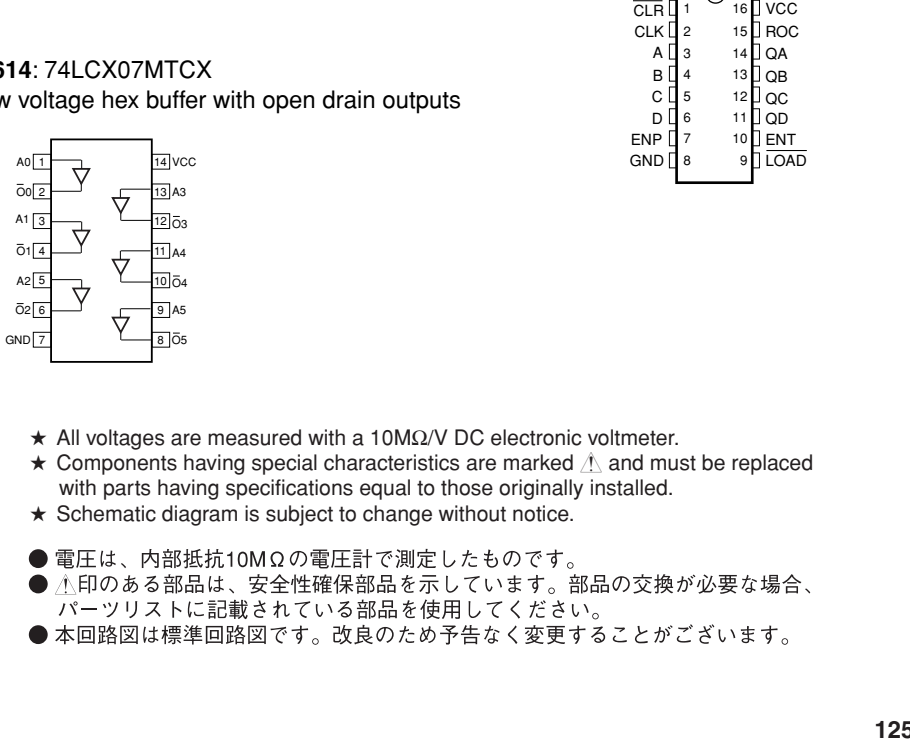
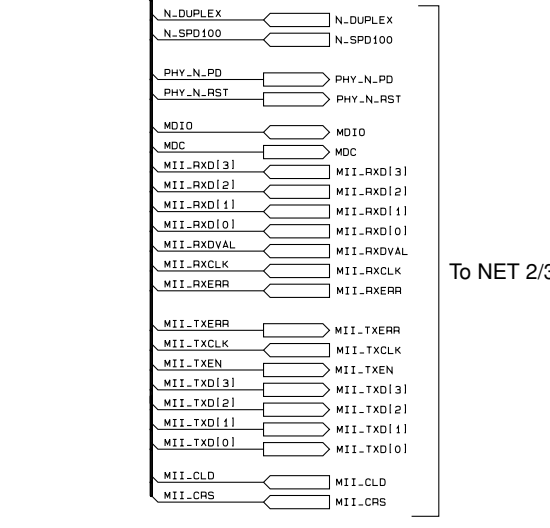
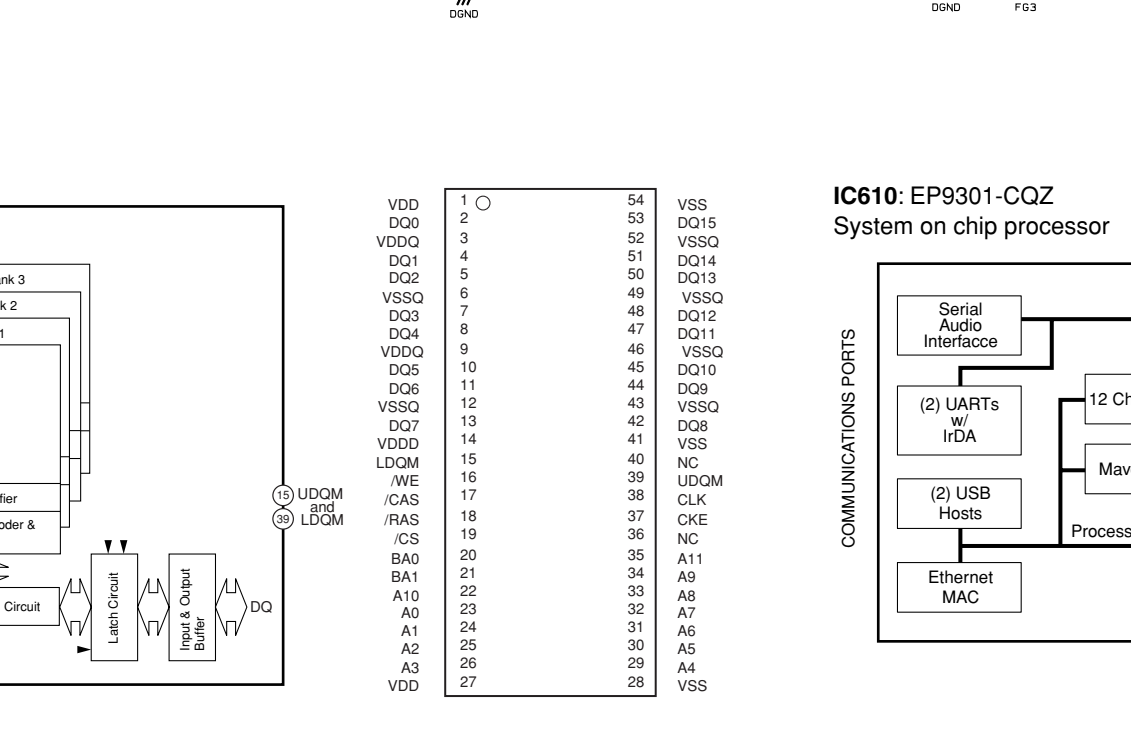
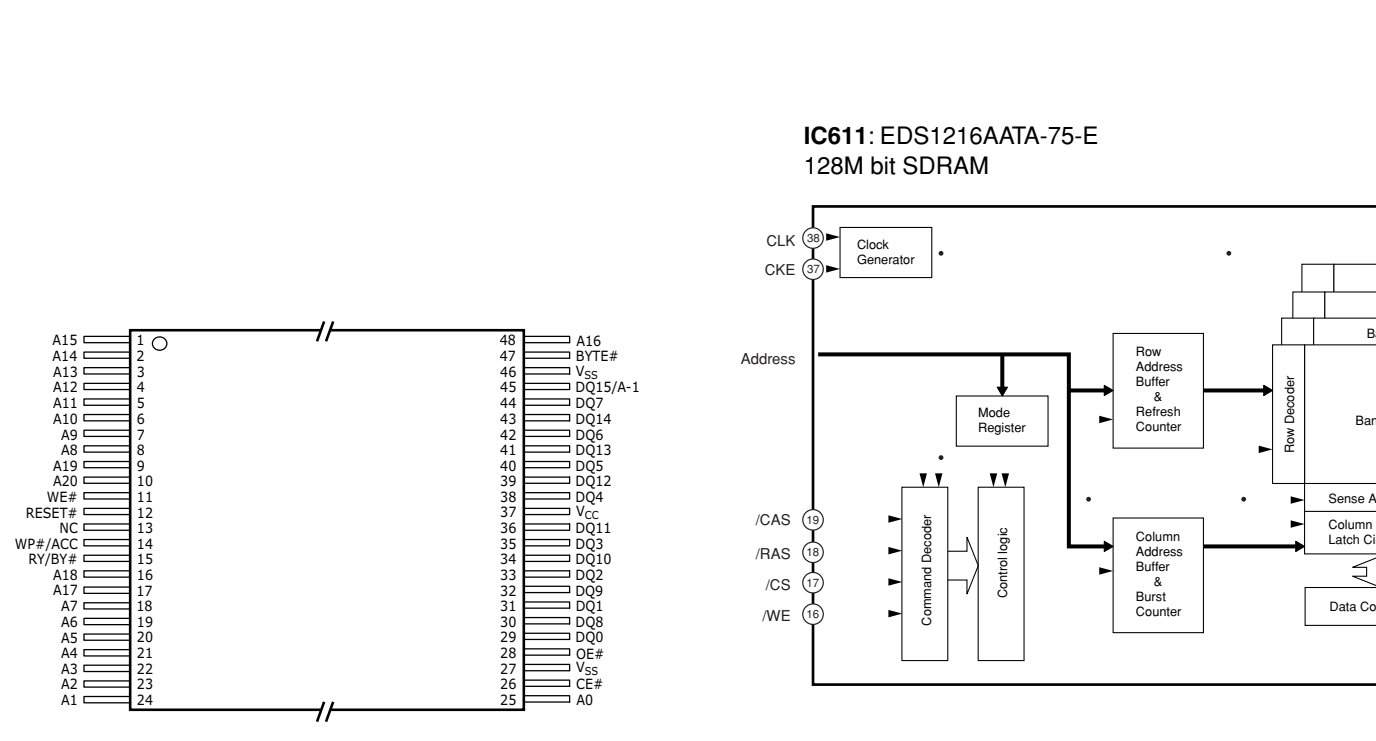
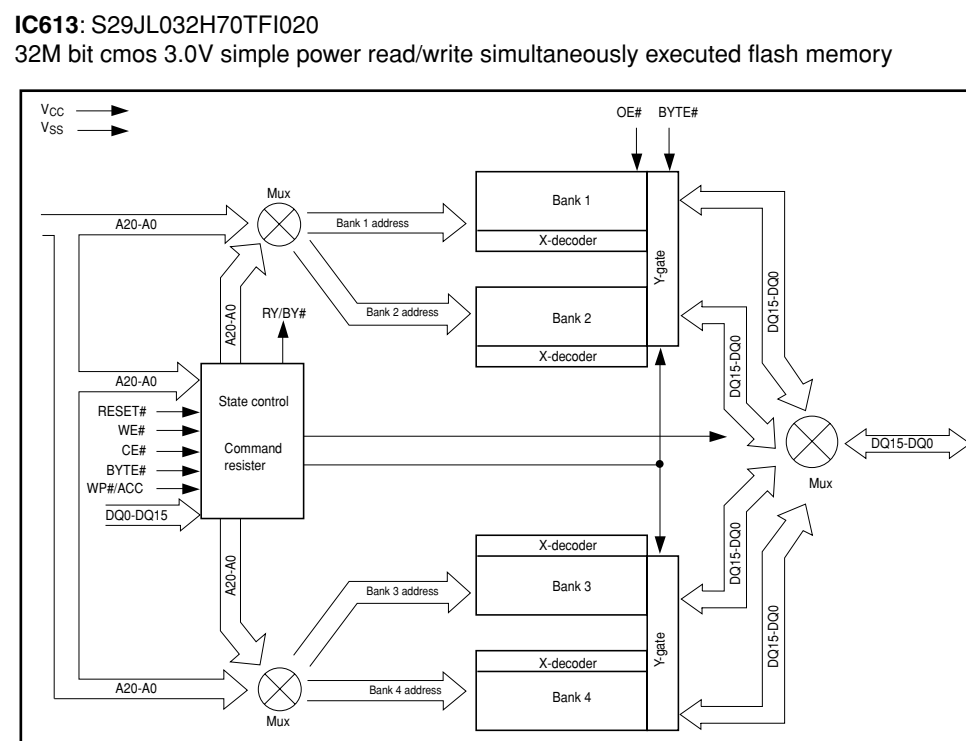
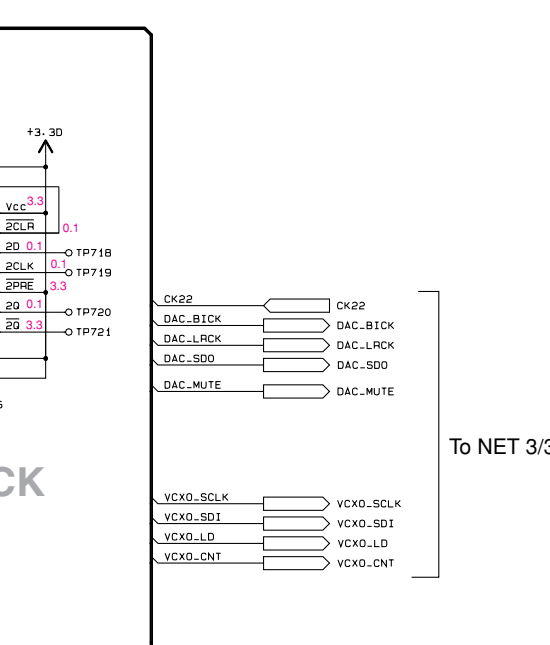
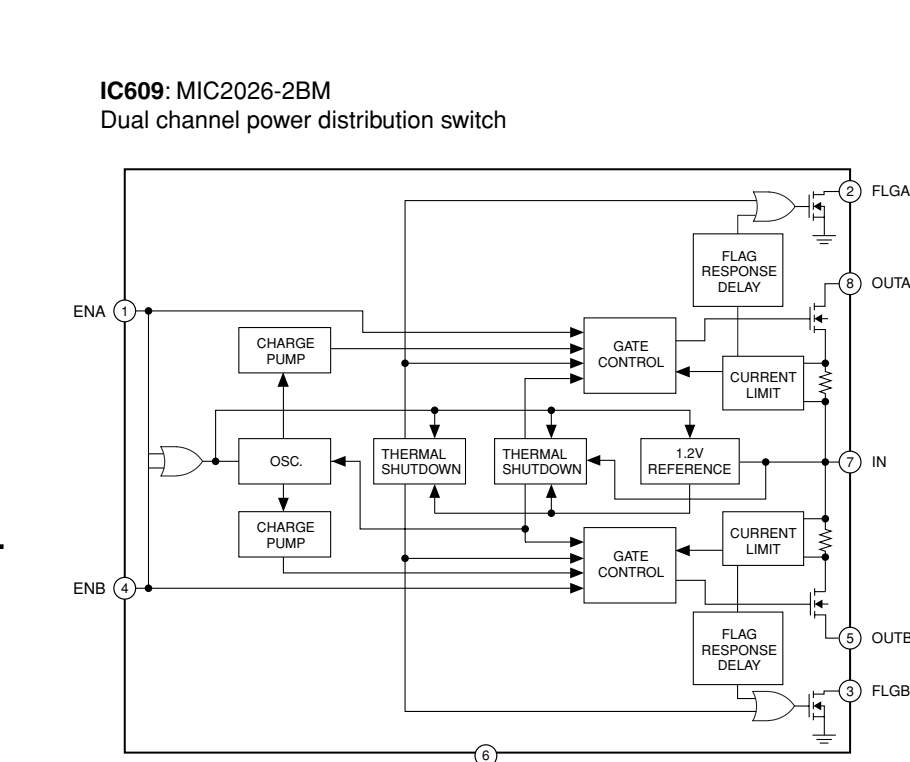
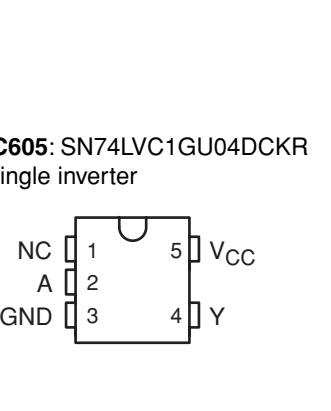
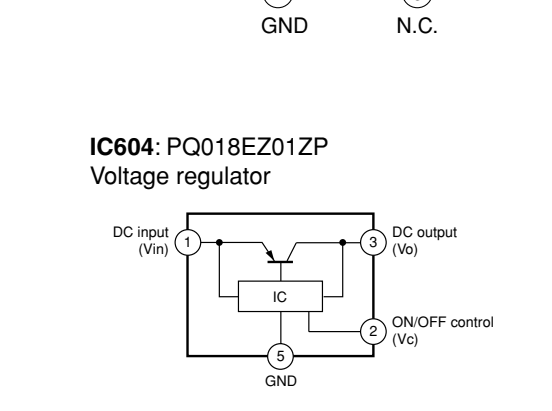
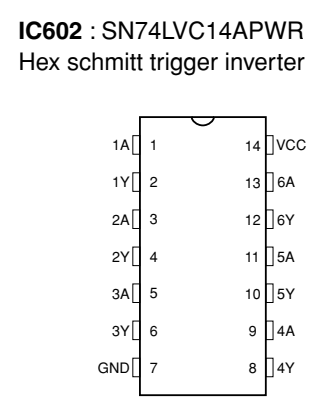
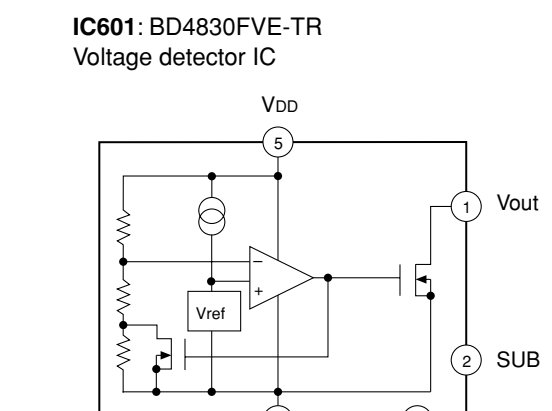
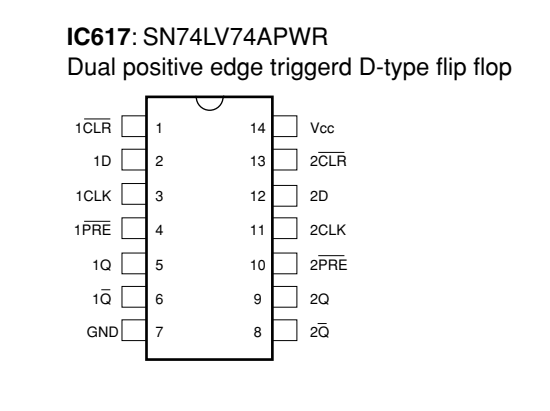
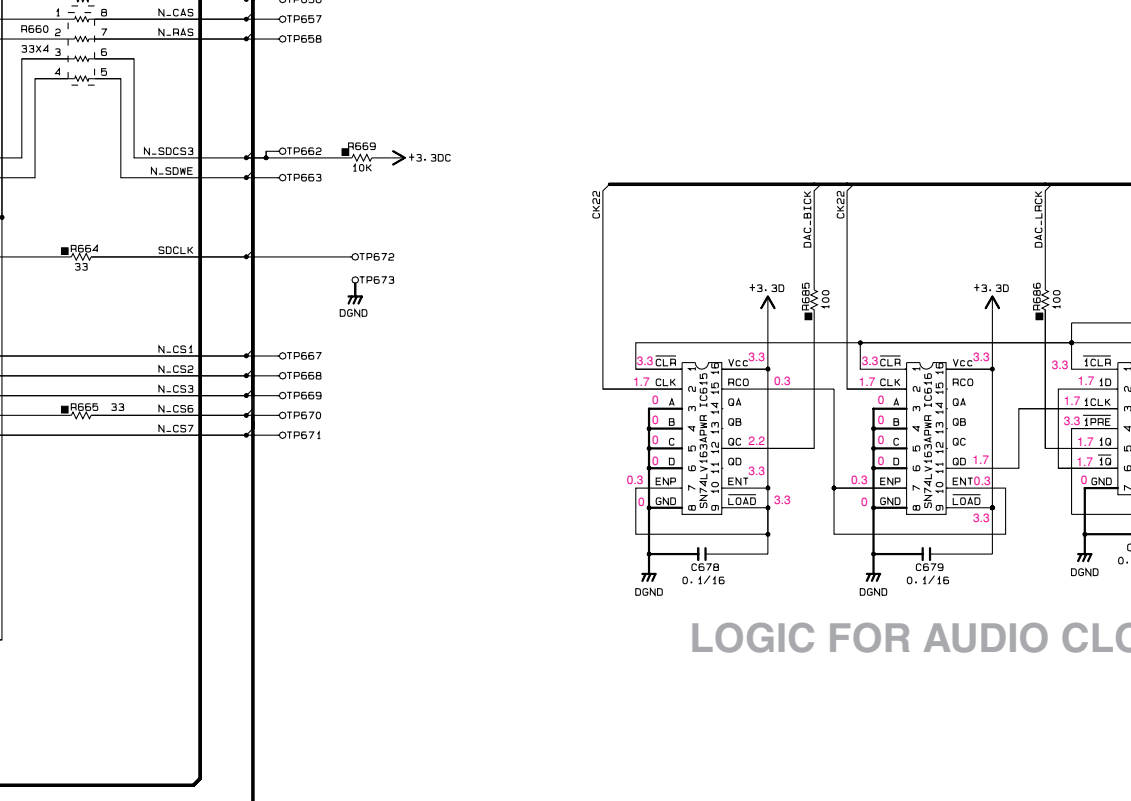
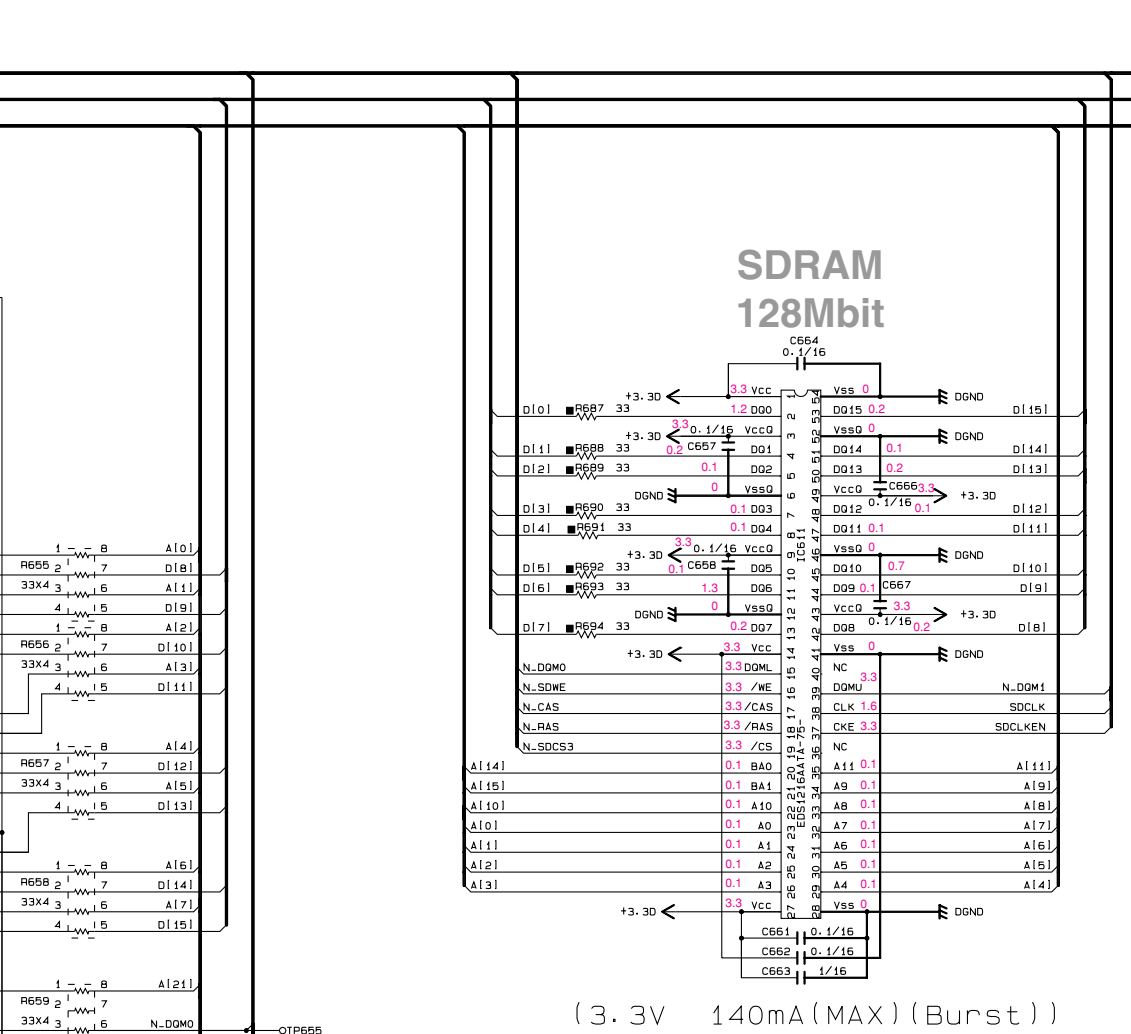
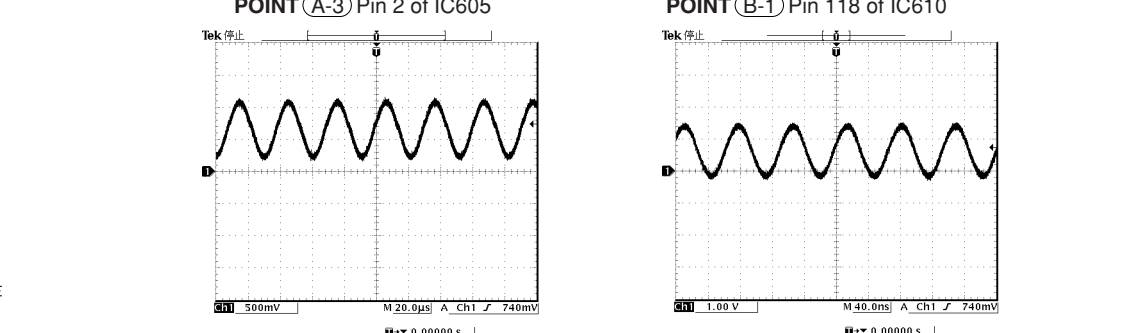
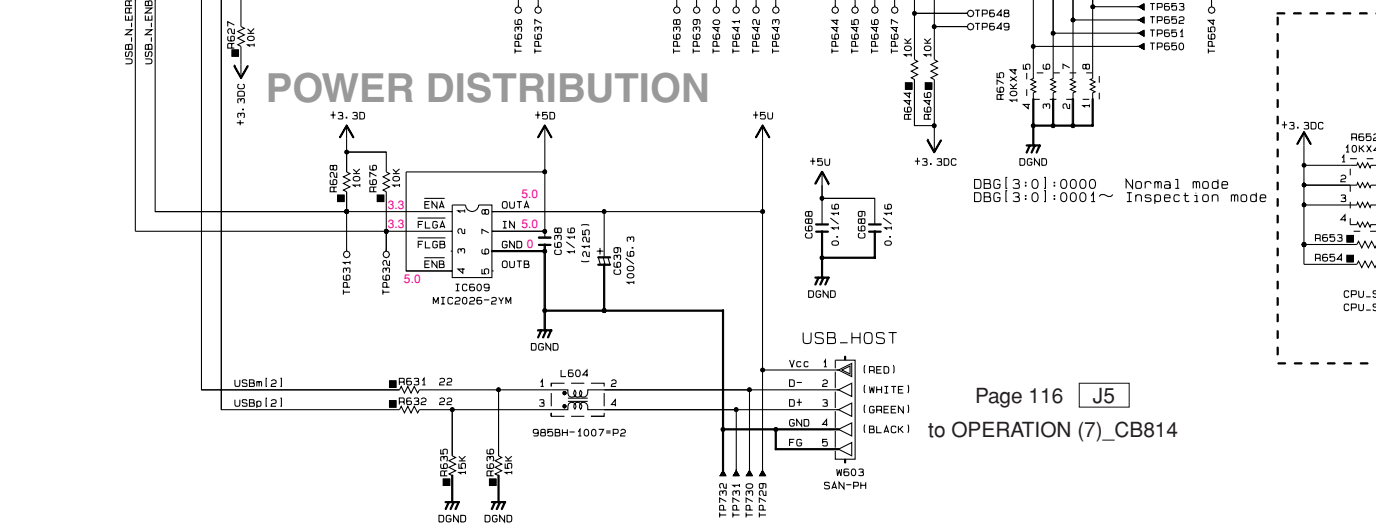
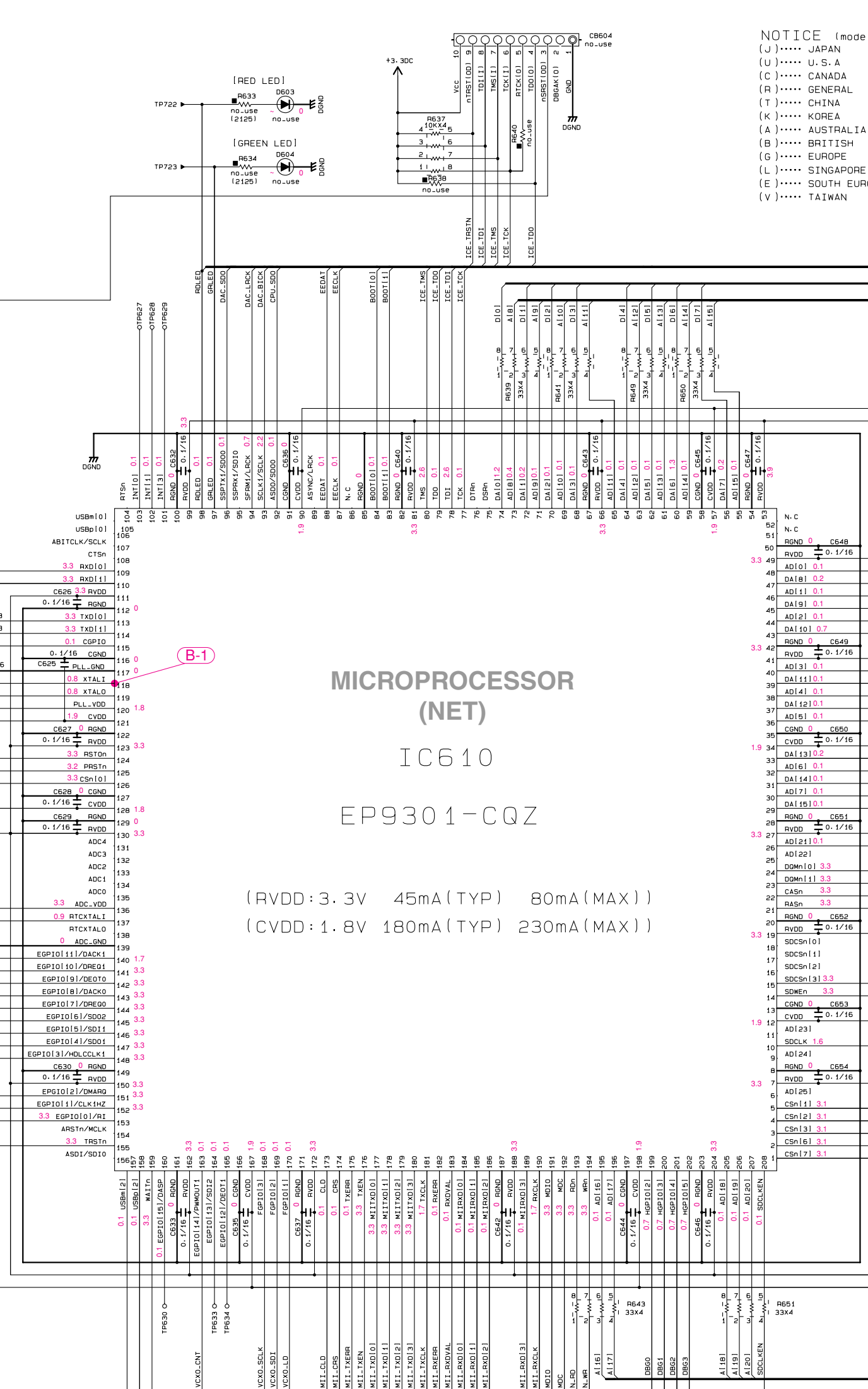
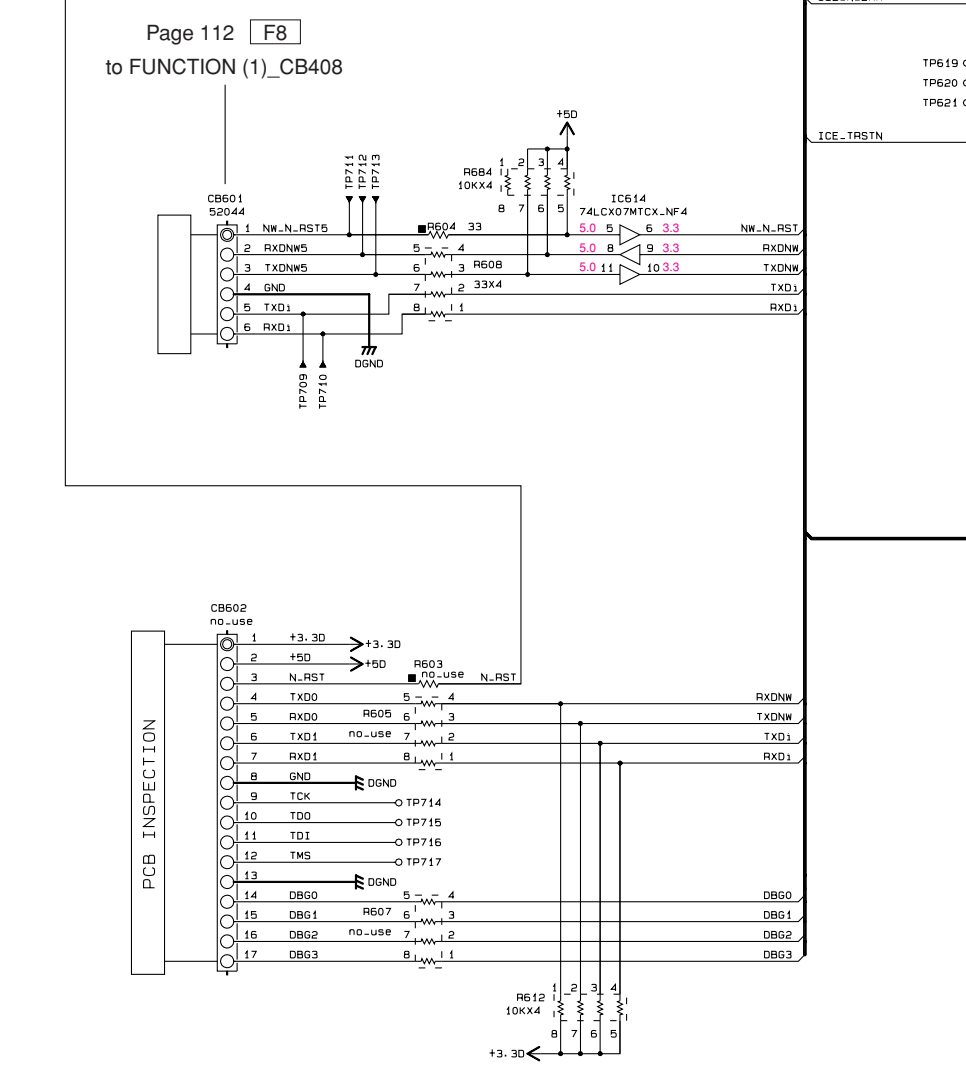
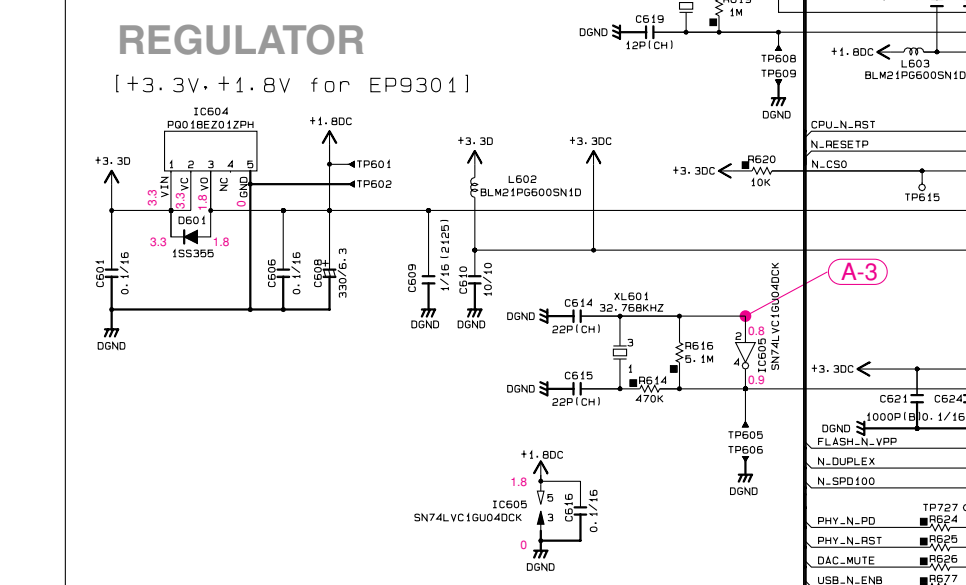
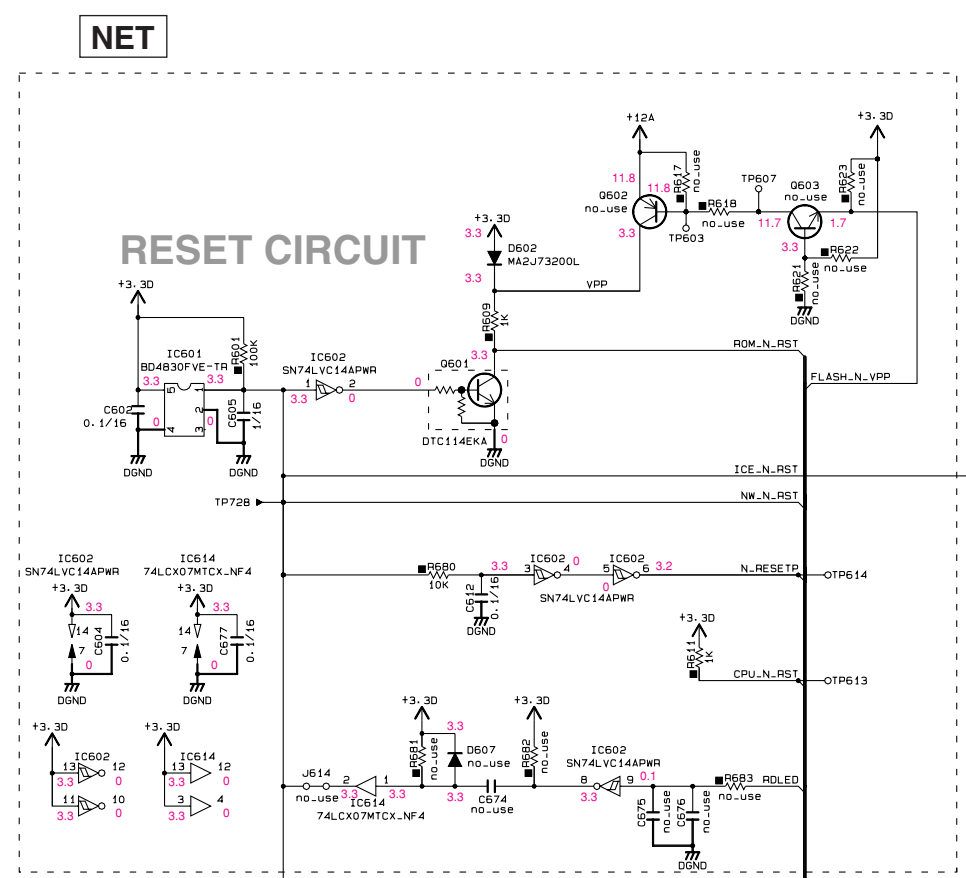
● 電圧は、内部抵抗10MΩの電圧計で測定したものです。
 ● !印のある部品は、安全性能確保部品を示しています。部品の交換が必要な場合、パーツリストに記載されている部品を使用してください。
 ● 本回路図は標準回路図です。改良のため予告なく変更することがございます。



NOTICE (mode)
 (J)..... JAPAN
 (U)..... U.S.A.
 (C)..... CANADA
 (R)..... GENERAL
 (I)..... CHINA
 (K)..... KOREA
 (A)..... AUSTRALIA
 (B)..... BRITISH
 (G)..... EUROPE
 (L)..... SINGAPORE
 (E)..... SOUTH EUROPE
 (V)..... TAIWAN

★ All voltages are measured with a 10M Ω /V DC electronic voltmeter.
 ★ Components having special characteristics are marked Δ , and must be replaced with parts having specifications equal to those originally installed.
 ★ Schematic diagram is subject to change without notice.
 ● 電圧は、内部抵抗10M Ω の電圧計で測定したものです。
 ● Δ 印のある部品は、安全性確保部品を示しています。部品の交換が必要な場合、パーツリストに記載されている部品を使用してください。
 ● 本回路図は標準回路図です。改良のため予告なく変更することがございます。

NET/13



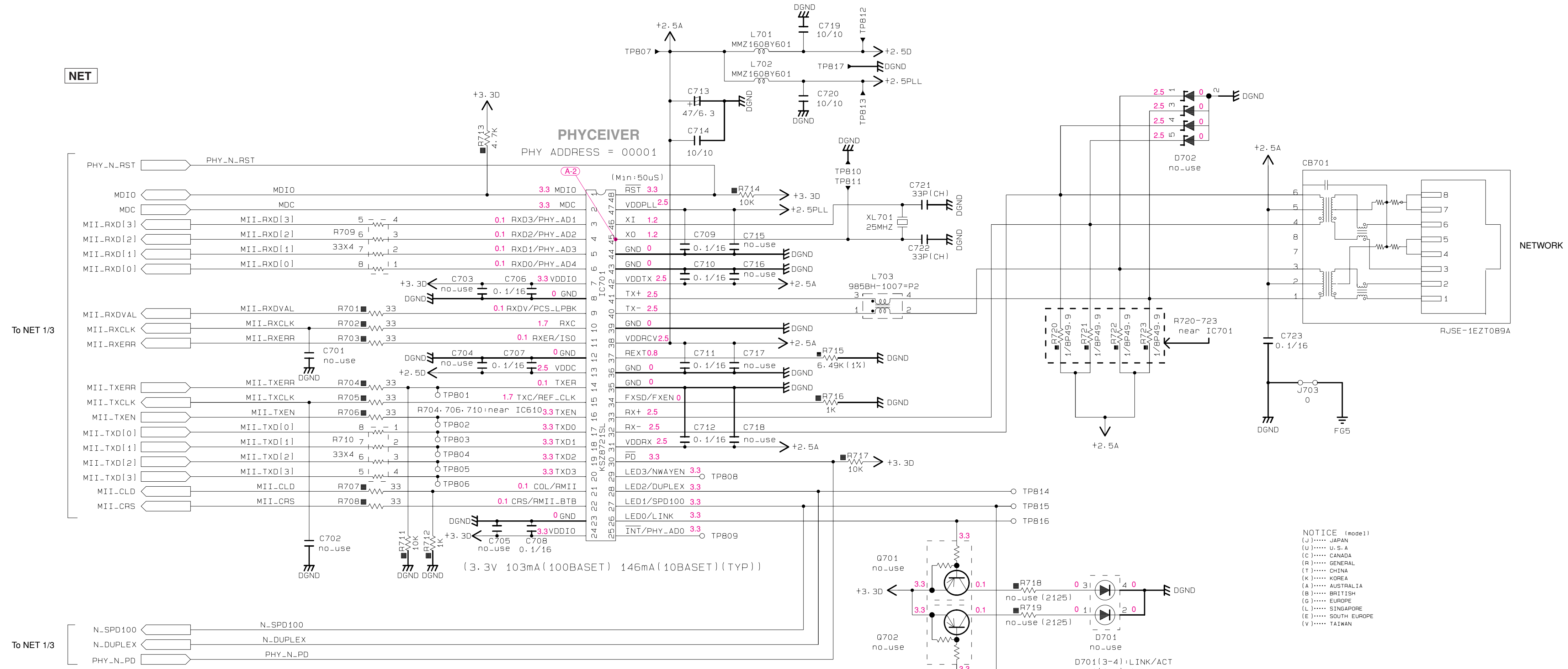
★ All voltages are measured with a 10MΩ/V DC electronic voltmeter.
★ Components having special characteristics are marked with a triangle (▲), and must be replaced with parts having specifications equal to those originally installed.
★ Schematic diagram is subject to change without notice.

● 電圧は、内部抵抗10MΩの電圧計で測定したものです。
● 印のある部品は、安全確保部品を示しています。部品の交換が必要な場合、パーツリストに記載されている部品を使用してください。
● 本回路図は標準回路図です。改良のため予告なく変更することがございます。

NET 2/3

[PHYceiver Circuit]

NET

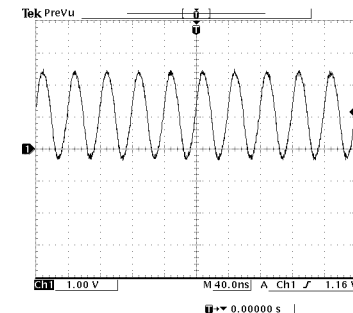


To NET 1/3

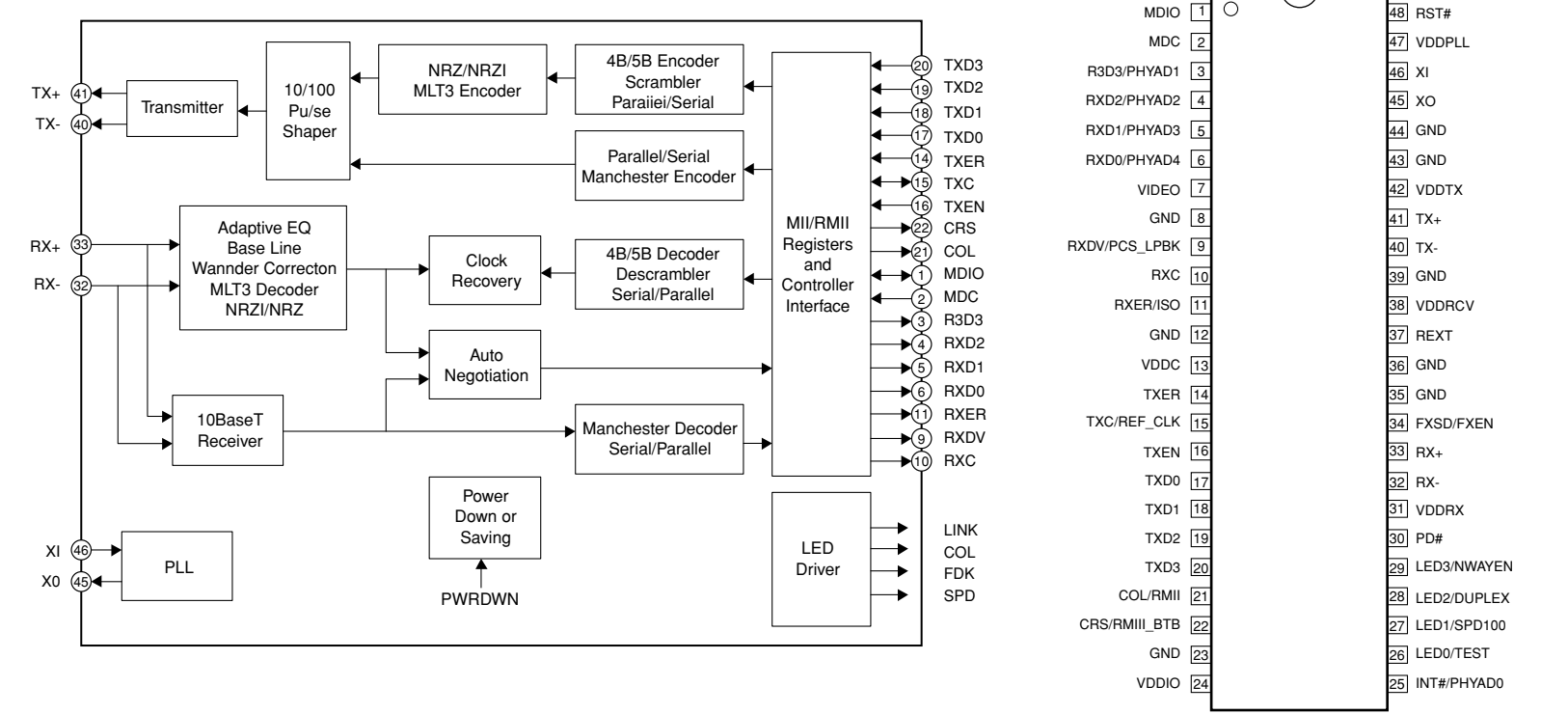
To NET 1/3

NOTICE (mode1)
 (J)..... JAPAN
 (U)..... U.S.A
 (C)..... CANADA
 (R)..... GENERAL
 (T)..... CHINA
 (K)..... KOREA
 (A)..... AUSTRALIA
 (B)..... BRITISH
 (G)..... EUROPE
 (L)..... SINGAPORE
 (E)..... SOUTH EUROPE
 (V)..... TAIWAN

POINT (A2) Pin 45 of IC701

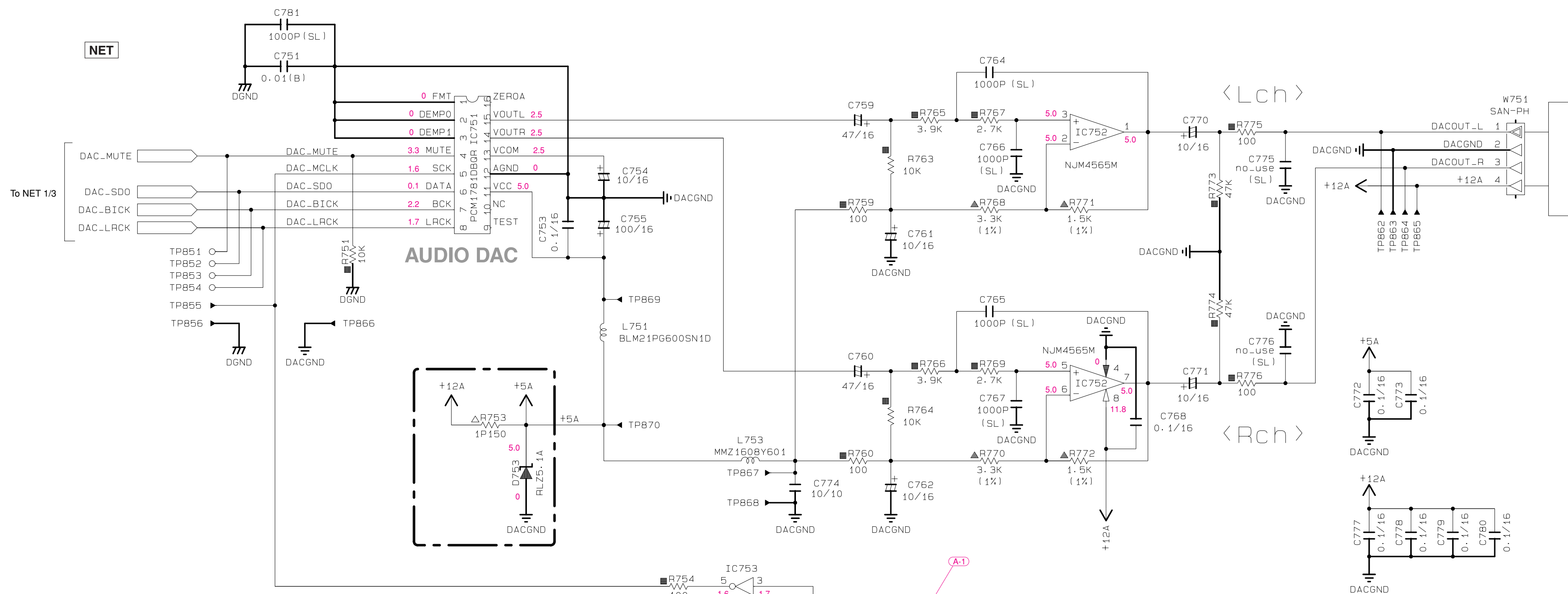


IC701: KSZ8721SL PHY ceiver

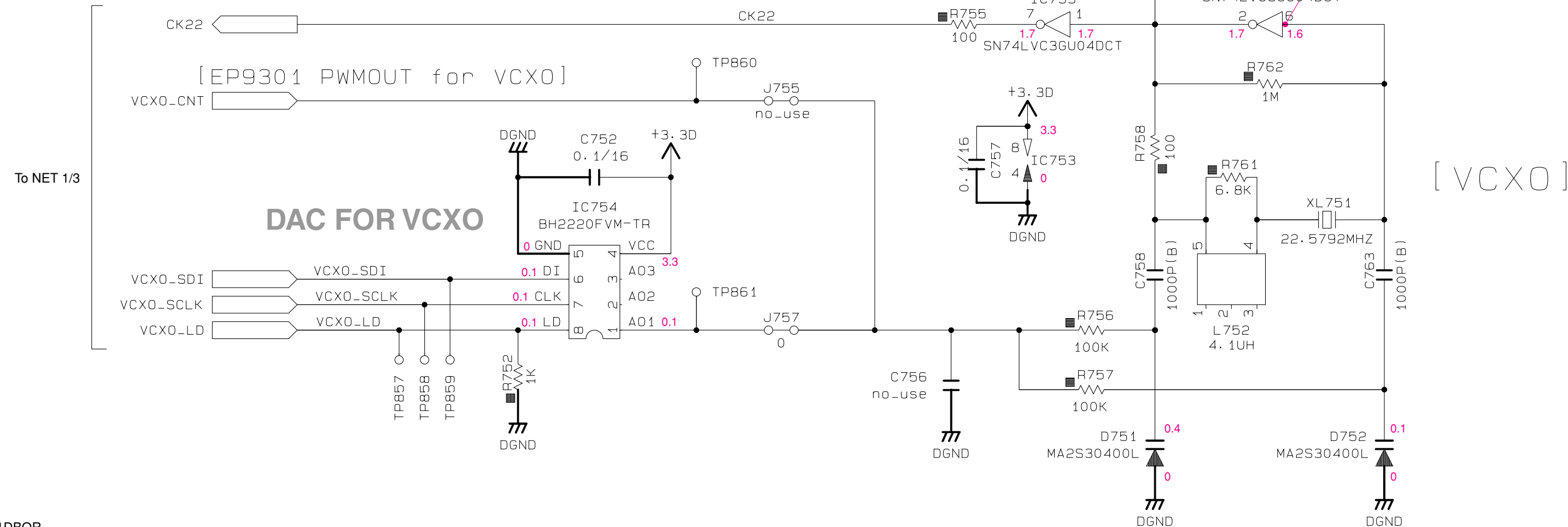


★ All voltages are measured with a 10MΩ/V DC electronic voltmeter.
 ★ Components having special characteristics are marked with a triangle (▲) and must be replaced with parts having specifications equal to those originally installed.
 ★ Schematic diagram is subject to change without notice.
 ● 電圧は、内部抵抗10MΩの電圧計で測定したものです。
 ● ▲印のある部品は、安全性確保部品を示しています。部品の交換が必要な場合、パーツリストに記載されている部品を使用してください。
 ● 本回路図は標準回路図です。改良のため予告なく変更することがございます。

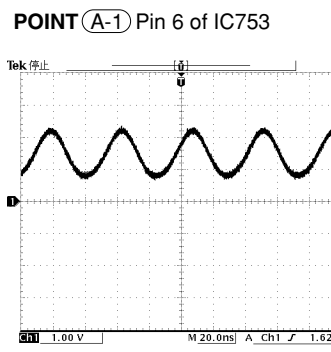
NET 3/3



Page 111 [E1] to DSP_CB562

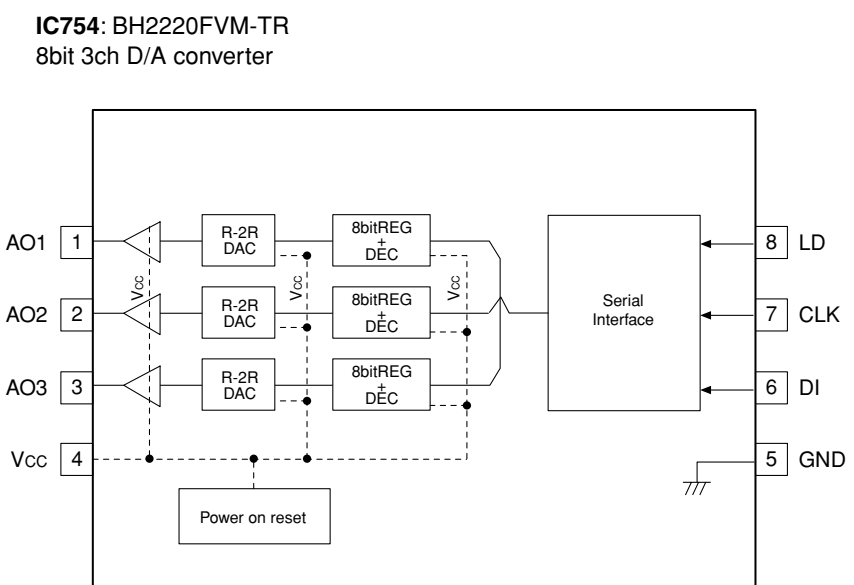
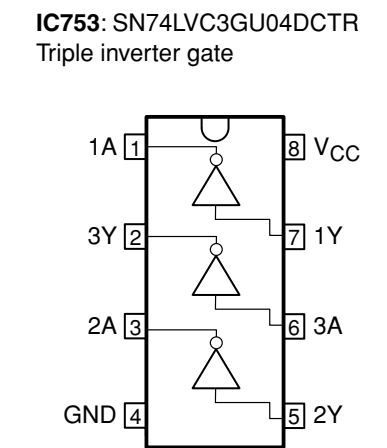
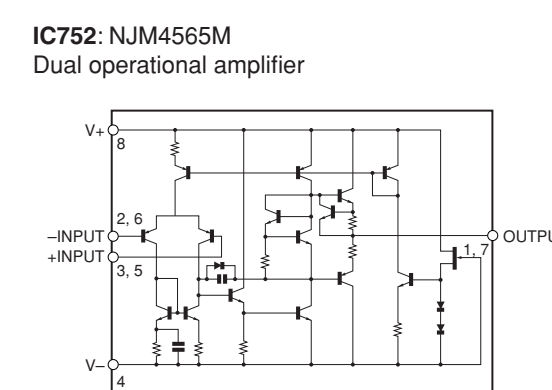
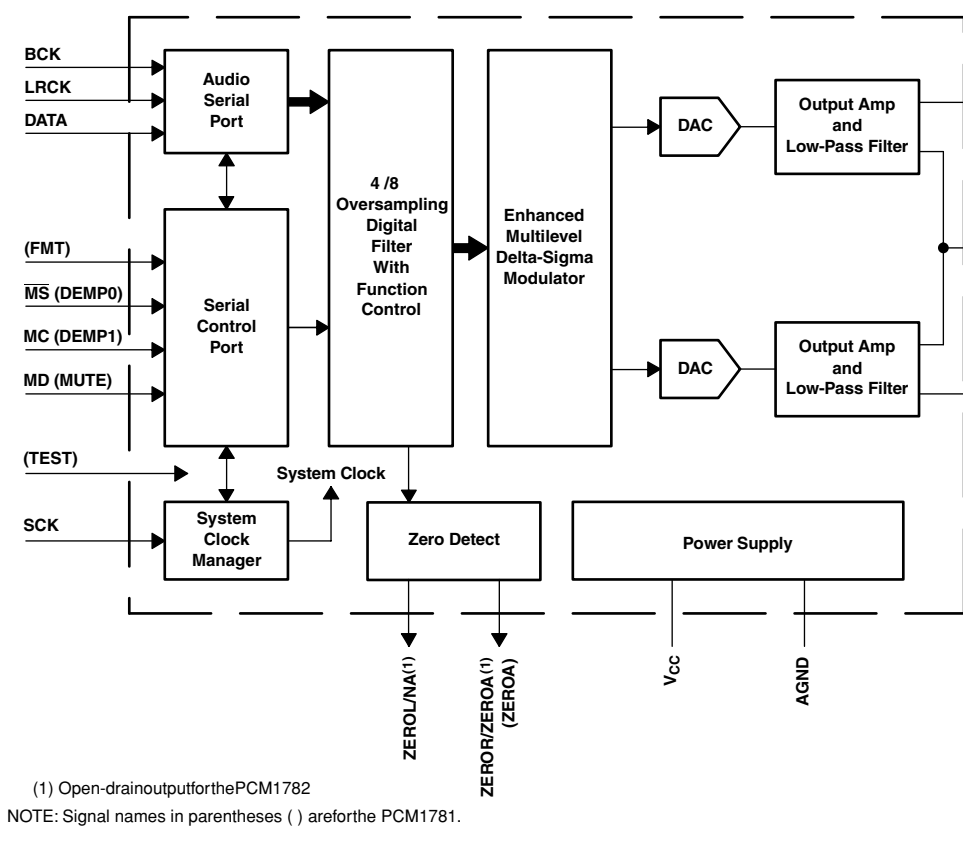


NOTICE (mode1)
 (J)..... JAPAN
 (U)..... U.S.A
 (C)..... CANADA
 (R)..... GENERAL
 (T)..... CHINA
 (K)..... KOREA
 (A)..... AUSTRALIA
 (B)..... BRITISH
 (G)..... EUROPE
 (L)..... SINGAPORE
 (E)..... SOUTH EUROPE
 (V)..... TAIWAN



IC751: PCM1781DBQR Audio digital-to-analog converter

Functional Block Diagram



(1) Open-drain output for the PCM1782
 NOTE: Signal names in parentheses () are for the PCM1781.

★ All voltages are measured with a 10MΩ/V DC electronic voltmeter.
 ★ Components having special characteristics are marked with a triangle and must be replaced with parts having specifications equal to those originally installed.
 ★ Schematic diagram is subject to change without notice.
 ● 電圧は、内部抵抗10MΩの電圧計で測定したものです。
 ● 印のある部品は、安全性確保部品を示しています。部品の交換が必要な場合、パーツリストに記載されている部品を使用してください。
 ● 本回路図は標準回路図です。改良のため予告なく変更することがございます。